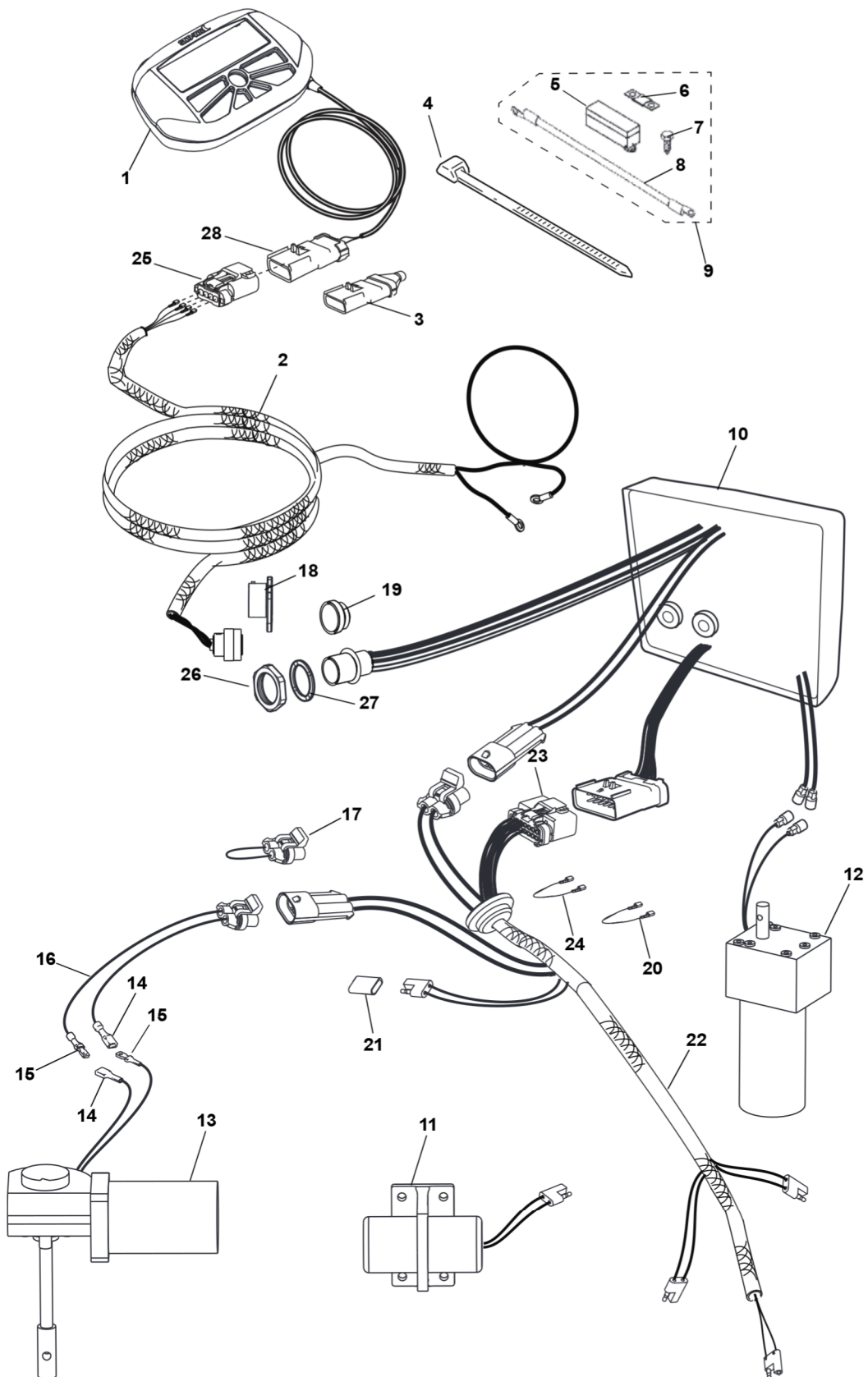


REVOLUTION SPREADER CONTROL

RVB & PDE Series Spreaders



REVOLUTION SPREADER CONTROL RVB & PDE Series Spreaders

ITEM	PART NO.	DESCRIPTION	QTY
1		Transmitter, RS	1
2		Harness, Vehicle (Includes items 3, 4, 9, & 19)	1
3	96116163	Cap, Apex, 4-Way, Male	1
4		Tie, Cable, Black, 11"	5
5	96109143	Fuse Holder	1
6	96109141	Fuse, 125 Amp	1
7	98100037	Screw, Self-Tapping, #10-16 x 1"	2
8	96115624	Cable, Power	1
9	96116253	Bag, Power Harness Parts	1
10	96117798	Module, Receiver, RS	1
11		Vibrator, 200 LB/S (See Note 2)	1
12		Motor, Auger Drive (See Note 2)	1
13		Motor, Spinner (See Note 2)	1
14	96113111	Flat Blade Connector, Female, 1/4"	8
15	96114970	Flat Blade Connector, Male 1/4"	8
16	96114866	Harness, Spinner Motor (Chute)	1
17	96115130	Cap, Metri Pack, 2-Way, Female	1
18	96116250	Cap, Vehicle Harness	1
19	96116114	Cap, Spreader Harness	1
20	96116628	Wire, RVB 10 (Pins 6 & 13)	1
21	96116208	Cap	4
22	96116563	Harness, Spreader, PDE800 / RVB 1500, 2000, 2500 (shown) (See Note 1)	1
	96116562	Harness, Spreader, PDE600 / RVB 750 (See Note 1)	1
	96116561	Harness, Spreader, PDE500 / RVB 500 (See Note 1)	1
23	96112394	Connector, 14-Pin, Male	1
24	96116251	Wire, E-Stop Loop (Pins 5 & 12)	1
25	96116161	Connector, 4-Pin, Female	1
	96108662	Terminal, Female, 18/20 AWG (Not shown)	4
26	96116113	Nut, Connector Retention	1
27	96116209	Lock Washer, Connector	1
28	96116164	Connector, 4- Pin, Male	1
	96108661	Terminal, Male, 18/20 AWG (Not shown)	4

NOTE:

- 1) 1-1/2" Diameter hole is needed in cover for molded grommet on harness to fit.
- 2) See Spreader Service Parts Manual - 97101880 (PDE), 97102062 (RVB).