

TOYOTA RAV 4

Under Run Protective Shield



Model Year

2010

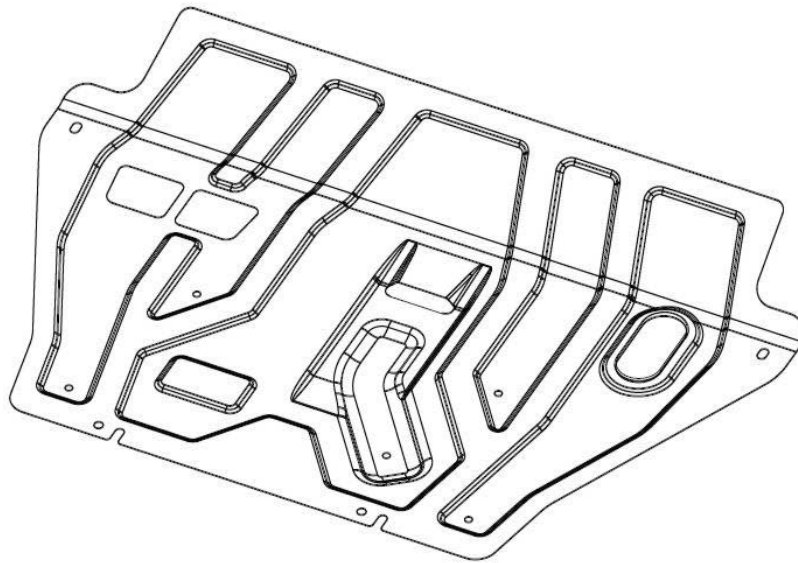
Vehicle Code

ZSA3*L-BW***W; ALA3*L-BW***W

24.1876

24.1897

A



B1



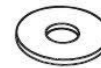
2 x M 10x20

B2



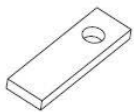
2 x M 10x100

C



4 x Ø10

D



x2 SD3003

E

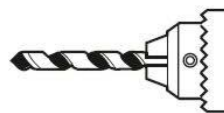
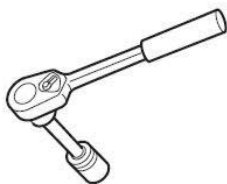


x2 SD20007

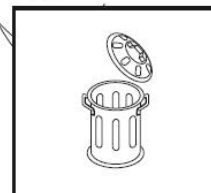
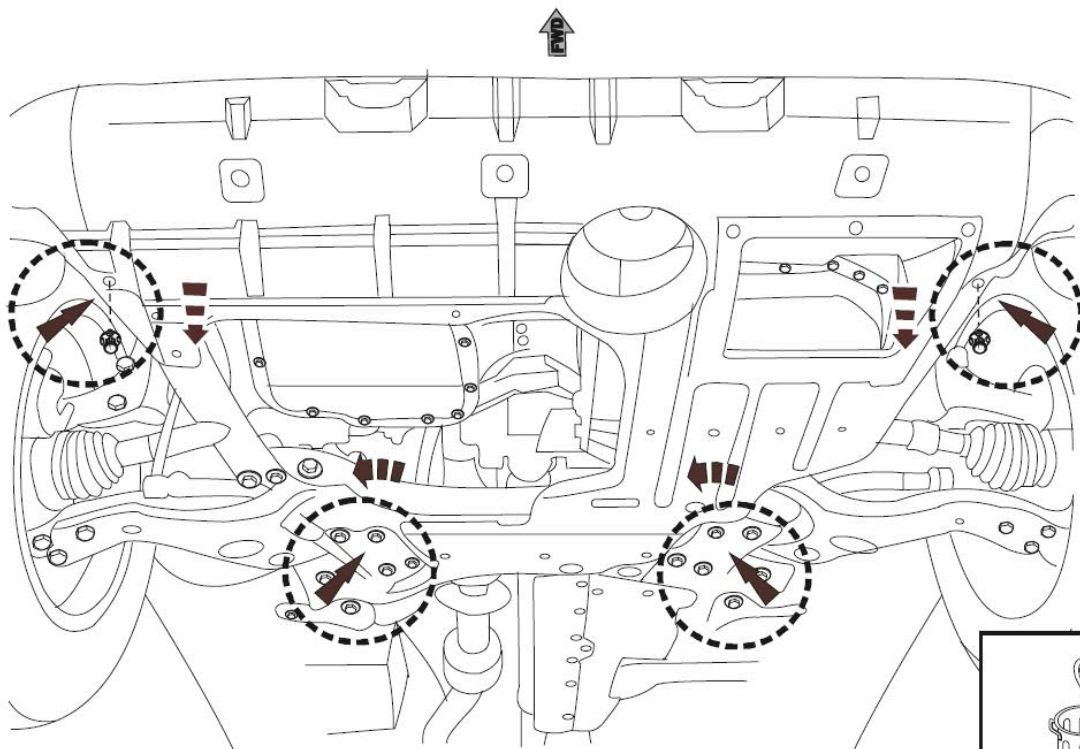
F



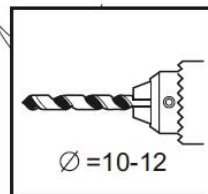
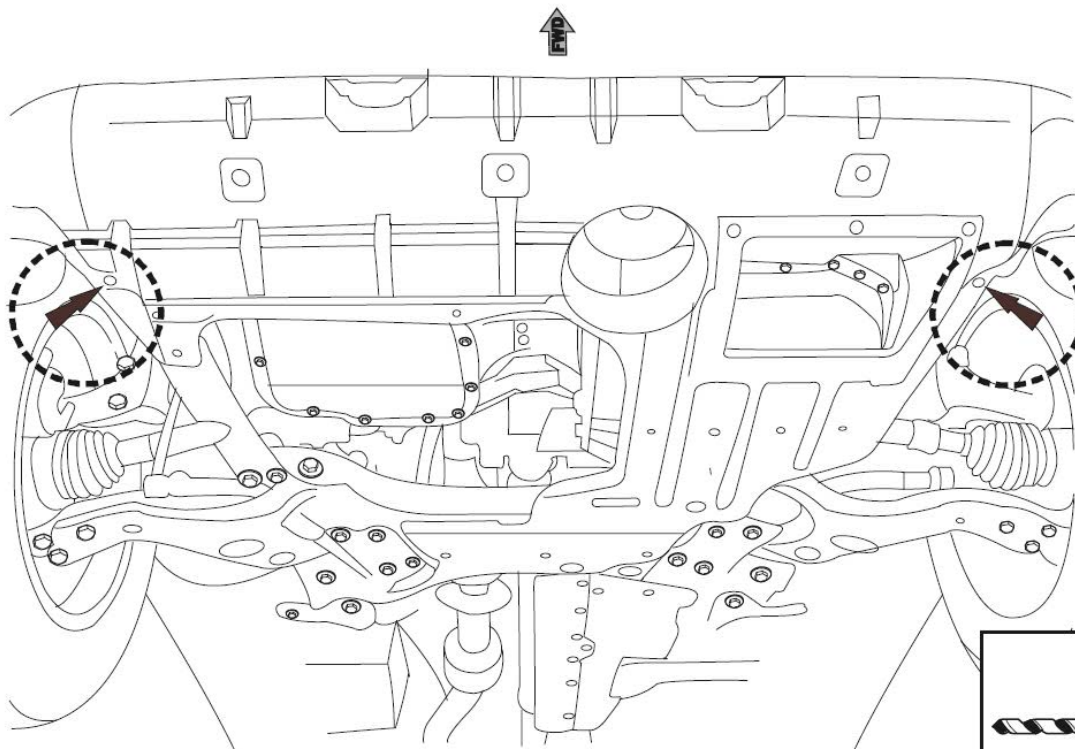
x 1



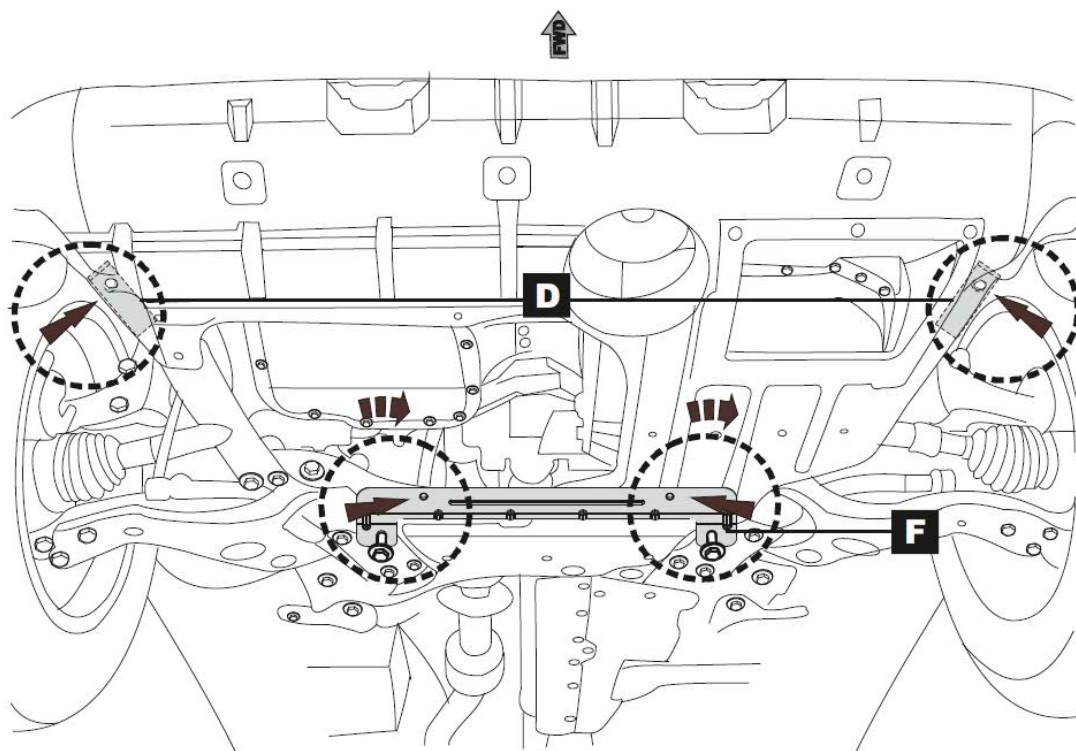
1



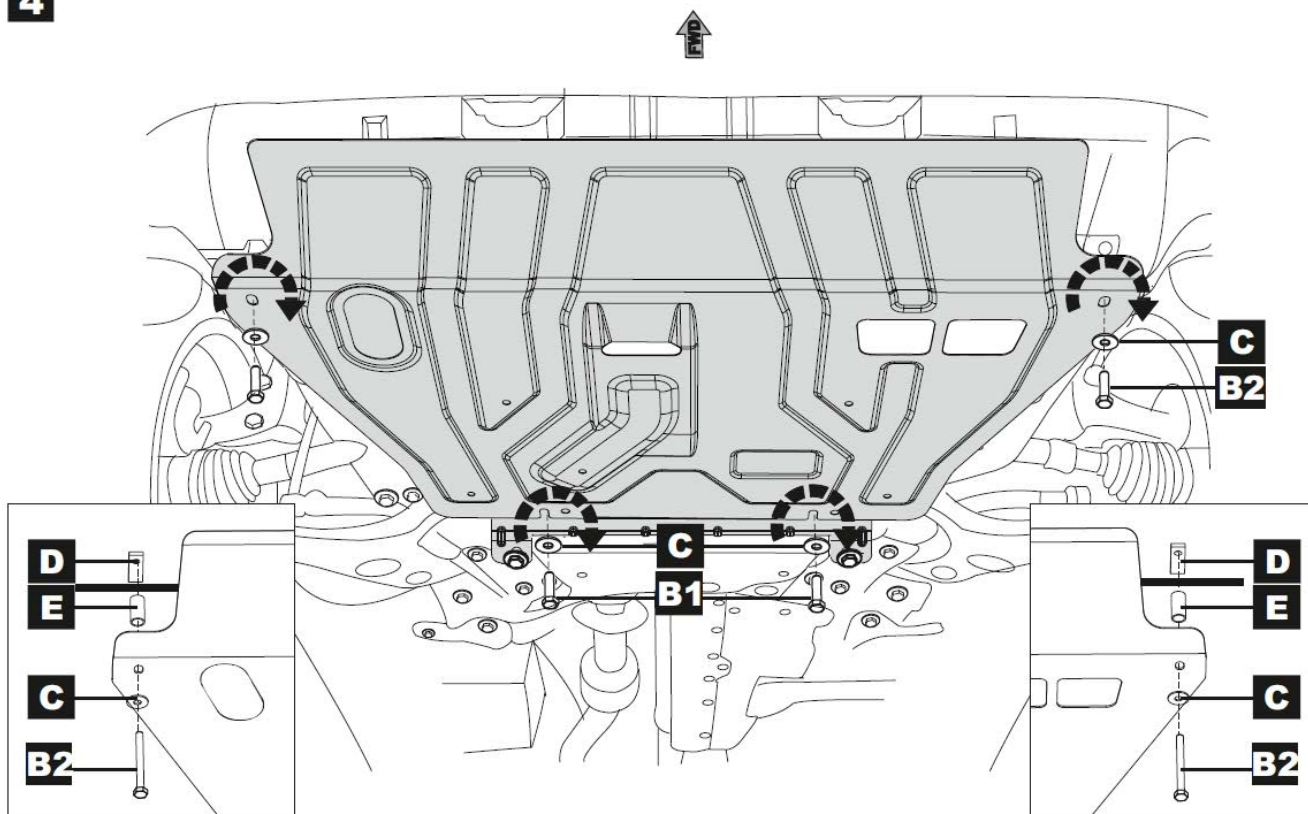
2



3



4



5

