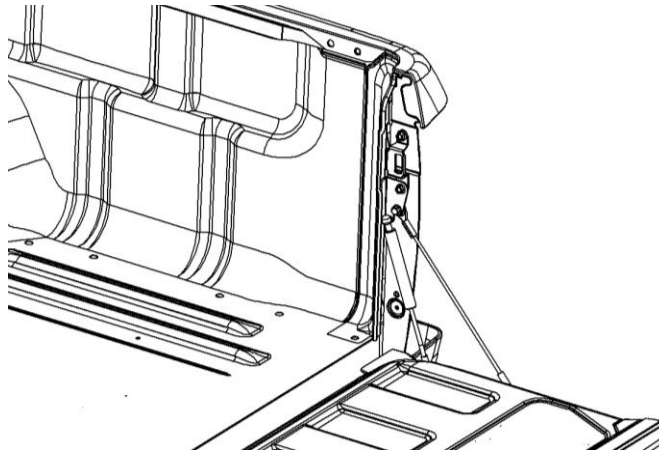




FITTING INSTRUCTIONS

4744030 ISUZU DMAX 2012+ TAILGATE ASSIST 4744040 HOLDEN COLORADO 2012+ TAILGATE ASSIST SUITS TAILGATES WITH CABLE STYLE STRAPS



**FITTING KIT: 6177227 ISUZU D-MAX
6177228 HOLDEN COLORADO**

IMPORTANT

- ◆ This product must be installed exactly as per these instructions using only the hardware supplied.
- ◆ Failure to follow instructions precisely may lead to failure of the product or result in injury and/or damage to vehicle.
- ◆ The installation of this product may require the use of specialized tools and/or techniques.
- ◆ During installation, it is the duty of the installer to check correct operation/clearances of all components.
- ◆ Work safely at all times.
- ◆ Specific installation can vary, so please read the following instructions as they refer to important information, which could affect the quality of the final installation.
- ◆ It is advisable to have these parts fitted by an authorised dealer.
- ◆ **Ensuring that the specified torques are used as contained in this fitting instruction is imperative, as failure may occur.**
- ◆ IF IN DOUBT CONTACT ARB FOR FURTHER INSTRUCTION.

HAVE AVAILABLE THESE SAFETY ITEMS WHEN FITTING PRODUCT:

Protective eyewear		Hearing protection		Gloves	
--------------------	--	--------------------	--	--------	--

NOTE: 'WARNING' notes in the fitting procedure relate to OHS situations, where to avoid a potentially hazardous situation it is suggested that protective safety gear be worn or a safe work procedure be employed. If these notes and warnings are not heeded, injury may result.

5-12-2018

Page 1 of 6

ARB Copyright 2018

3789837

If you have any queries regarding the installation of this product please contact the distributor from whom it was purchased, or alternatively the ARB office in your state.

Head Office – ARB Corporation Ltd VIC: 42-44 Garden Street, Kilsyth, Victoria, 3137 Tel: (03) 9761 6622 Fax: (03) 9761 6807

WA:(08) 9244 3553 NSW: (02) 9821 3633 ACT: (02) 6280 7475 SA: (08) 8244 5001 QLD: (07) 3872 3872 NT: (08) 8947 2262 TAS: (03) 6331 4190

CARE INSTRUCTIONS:

In general, the Tailgate Assist system is maintenance free with no need for regular attention. However the following should be noted:-

- ◆ Gas tension springs are open systems. As such, avoid that dirt or other particles get into the tension spring through the ventilation hole in the cylinder end.
- ◆ When cleaning, use a non caustic soap and avoid aiming high pressure water jets into the seal area.
- ◆ If grinding noises come from the ball sockets, remove the ball sockets (being careful not to lose or damage the clip) and clean any grit from the ball socket and ball.
- ◆ Avoid excessive heat (greater than 80°C)
- ◆ DO NOT grip piston rod with pliers, vice or similar (avoid scratching, denting or bending the rod).
- ◆ Avoid paint overspray, weld or grinding splatter, or materials such as glue.
- ◆ Avoid cleaning products that leave a coating such as silicones.
- ◆ Avoid applying adhesive tape to the piston rod.

TOOL LIST FOR FITMENT:

<ul style="list-style-type: none">• Torque Wrench• Socket driver• T40 Torx socket or key• 12mm socket or spanner• 13mm socket or spanner• 17mm socket or spanner	
---	--

FITTING IS UNDERTAKEN IN THE FOLLOWING STEPS:

1. Fitting the kit RHS
2. Fitting the kit LHS

!! IMPORTANT !!

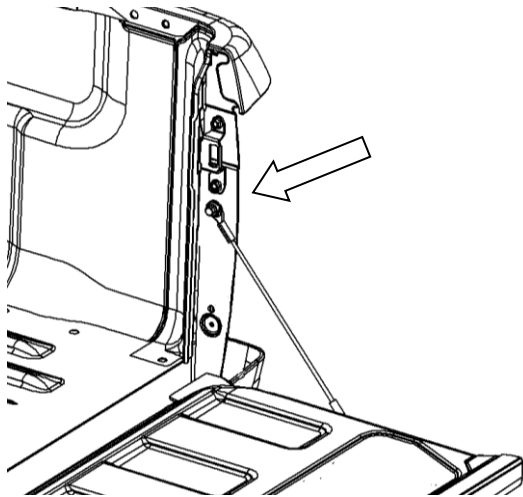
REQUIRED SCREW TORQUES: Refer to steps in fitting instruction

Screw torques must be adhered to. Over torquing can cause failure of components.

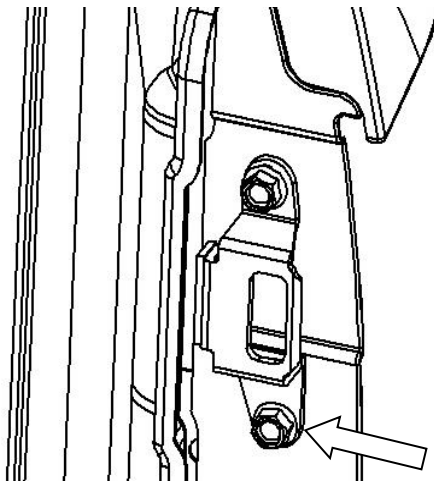
THE FITTING KIT CONTAINS:

	Part No	Picture	Qty	Description
	3750238R		1	UPPER BALL STUD MOUNT RH
	3750238L		1	UPPER BALL STUD MOUNT LH
	3750240R		1	LOWER BALL STUD MOUNT RH
	3750240L		1	LOWER BALL STUD MOUNT LH
	4590021		1	LIFT SPRING STRUT
USED ONLY IN KIT 6177227	4590022		1	DAMPENING STRUT DMAX (USED IN KIT 4744030)
USED ONLY IN KIT 6177228	4590025		1	DAMPENING STRUT COLORADO (USED IN KIT 4744040)
	4581303		2	M8 FLAT WASHER 3mm. THICK
	6151874		4	M8 BUTTON HEAD CAP SCREW
	2125702		1	WARNING LABEL

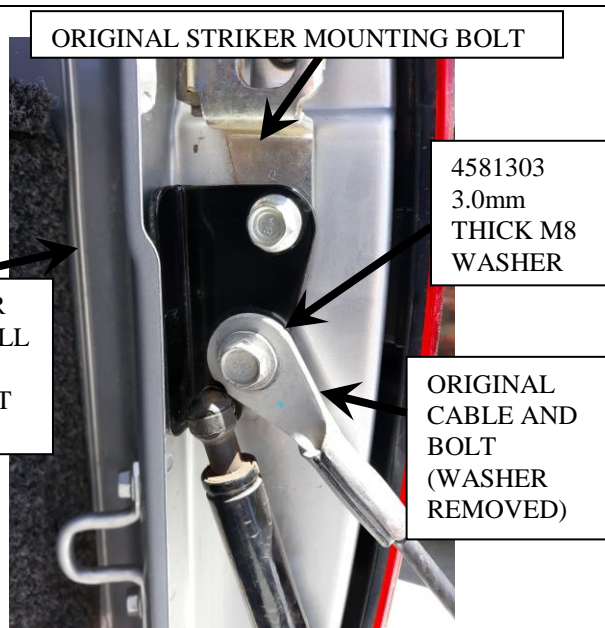
Section1: FITTING RH ASSIST



1.0) Remove existing cable and upper bolt assembly from the tub using 13mm socket and retain complete assembly. The cable can be left dangling from the remaining bolt.



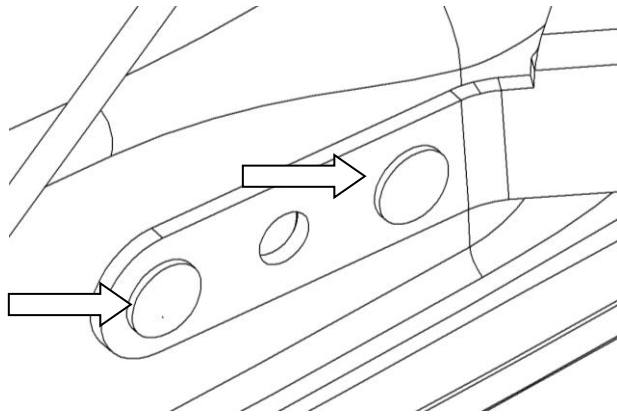
1.1) Using a 12mm socket remove the lower M8 bolt on striker bracket. Retain bolt.



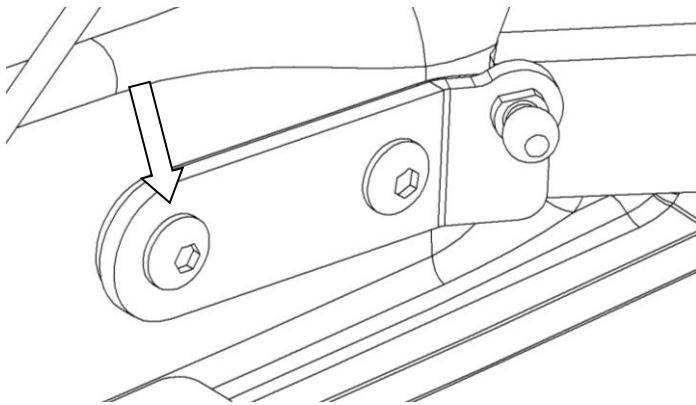
1.2) Assemble the RH upper ball stud (3750238R) bracket as shown making sure to position the original striker bolt in the upper hole of the bracket and through the striker bracket loosely engage the bolt.

1.3) Align the thick washer (4581303) under the lower bracket hole and after removing the original thick washer, bolt the original tailgate strap into position.

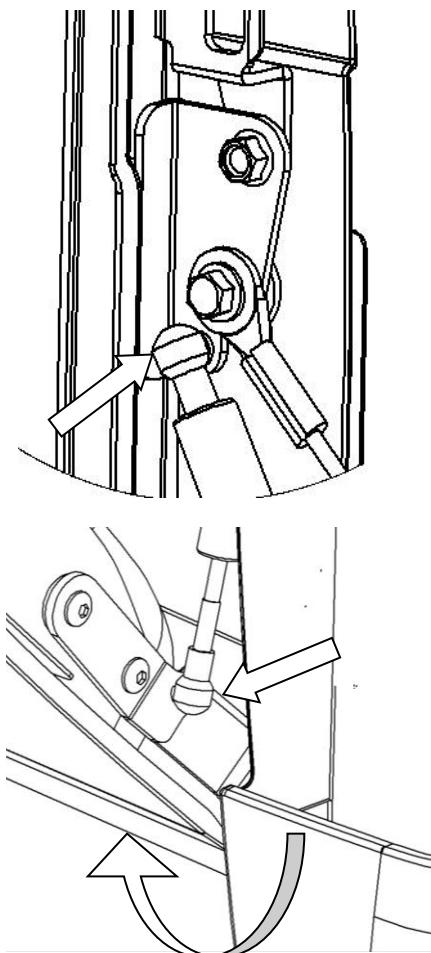
1.4) Tighten both bolts to 22Nm.



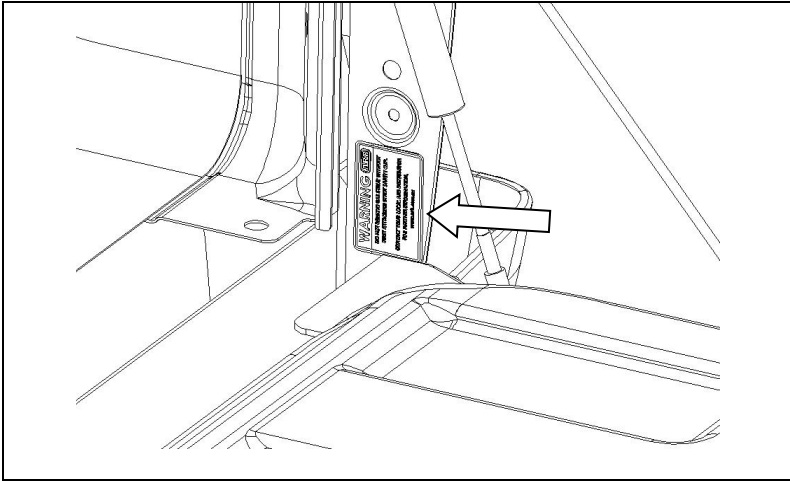
1.5) Remove and discard the two bolts on the lower hinge as shown.



1.6) Fit lower ball stud mount to the outside of the tailgate hinge and secure using the supplied M8 button head cap screws (6151874). **Torque to 22Nm.** Note orientation of the ball stud in this RH image.

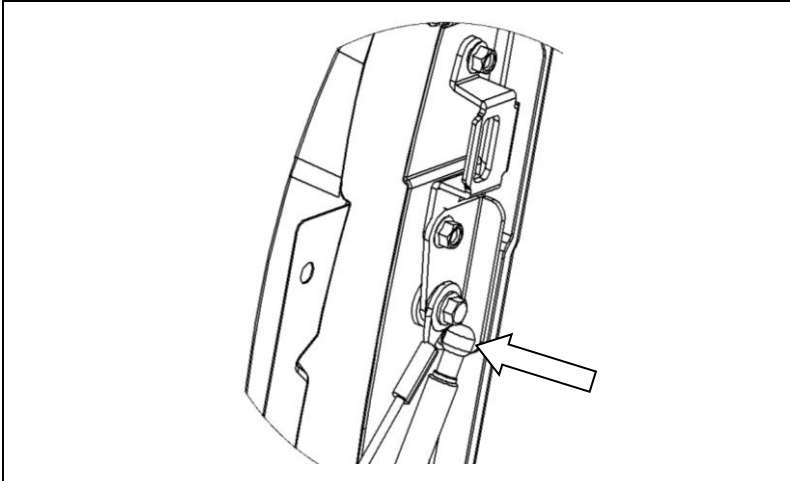


1.7) Place the upper end of the spring assist strut (4590021) (larger diameter body strut) onto the upper ball stud mount. **DO NOT REMOVE EXTENSION SAFETY CLIP YET.** Ensure it has clicked in correctly. To fit the lower mount raise the tailgate until the lower strut end and ball stud mount line up. Click the ball stud into the strut. Gently lower tailgate and then remove strut extension safety clip. **When complete place safety clip in vehicle glove box.**

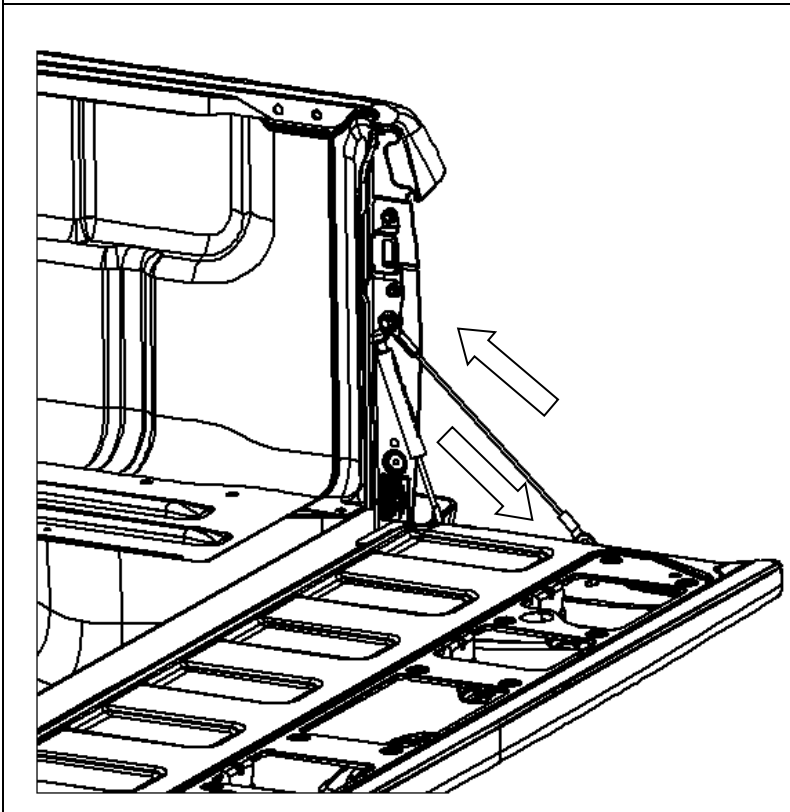


1.8) Fit warning label to vehicle tub as shown in the image. Onto the RHS. It must be fitted to the larger spring assist side and placed just below the lower tail light screw position.

Section 2: FITTING LHS ASSIST



2.1) Use the same procedure as mentioned in section 1 for the LH side components except to place the narrower body strut onto the ball studs (4590022 for DMax or 4590025 for Colorado). This strut is a damper and it's piston can be moved in and out by hand to help with alignment. **Ensure fasteners on LH side are torqued to 22Nm.**



2.2) When complete open and close the tailgate to ensure correct operation. Make sure there is no binding or cables protruding.