

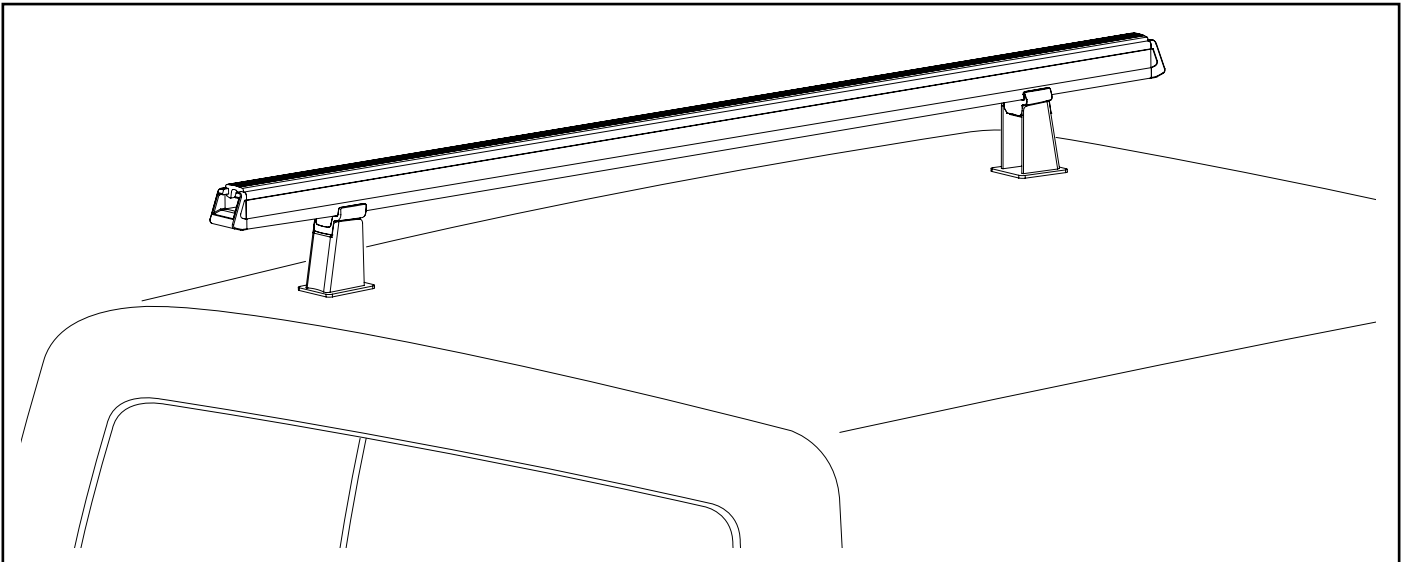


RHINO-RACK

Aerodynamic & Heavy Duty Roof Rack Systems

ARB-HD

Important: Please read these instructions carefully prior to installation.
Please refer to your fitting instruction to ensure that the roof racks are installed in the correct locations.
Check the contents of kit before commencing fitment and report any discrepancies.
Place these instructions in the vehicle's glove box after installation is complete.



Care Instruction: Clean ute posts prior to installation of the Heavy Duty cross bar.

Important Information

Maximum carrying capacity: 50kg per cross bar.

Recommendations:

It is essential that all bolt connections be checked after driving a short distance when gutter mount legs and cross bars are first installed. Bolt connections should be checked again at regular intervals (probably once a week is enough, depending on road conditions, usage, loads and distances travelled). You should also check the cross bars each time they are re-fitted. Make sure to fasten your load securely. Ensure all loads are evenly distributed and that the centre of gravity is kept as low as possible.

Use only non-stretch fastening ropes or straps.

Sensitivity to cross winds, behaviour in curves and braking.

The handling characteristics of the vehicle, changes when you transport a load on the roof. For safety reasons, we recommend you exercise extreme care when transporting wind-resisting loads; special consideration must be taken into account when braking.

Please remove cross bars & legs when putting vehicle through an automatic car wash.

Load ratings:

Maximum permissible load is 50kg (include the weight of the cross bar and legs, 5kg). When cross bars are to be used in off-road conditions, please build a safety factor of 1.5 into this load limit - 33kg for off-road use. Although the cross bars are tested and approved to AS1235-2000, Australian road conditions can be much more rigorous. However, increasing the number of cross bars does not increase the vehicles maximum permissible roof loading.

Note for Dealers and Fitters:

It is your responsibility to ensure instructions are given to the end user or client.

Rhino-Rack
3 Pike Street, Rydalmere,
NSW 2116, Australia.
(Ph) (02) 9638 4744
(Fax) (02) 9638 4822

Document No: RR-229
Prepared By: Craig Jones
Authorised By: Gary England

Issue No: 01
Issue Date: 22/07/2009

These instructions remain the property of Rhino-Rack Australia Pty Ltd and may not be used or changed for any other purpose than intended.

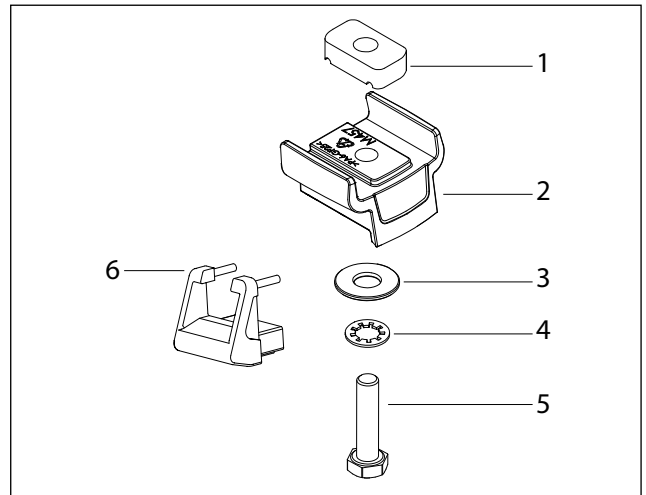


ARB HD

Parts List

Maximum carrying capacity: 50kg.

Item	Component Name	Qty	Part No.
1	M8 Channel Nut	2	N003
2	HD Cross Bar Adaptor	2	M457
3	M8 Flat Washer	2	W020
4	M8 Shake proof Washer	2	W033
5	M8 x 35mm Hex Bolt	2	B102
6	HD End Cap	2	M002
7	Fitting Instruction	1	RR-229

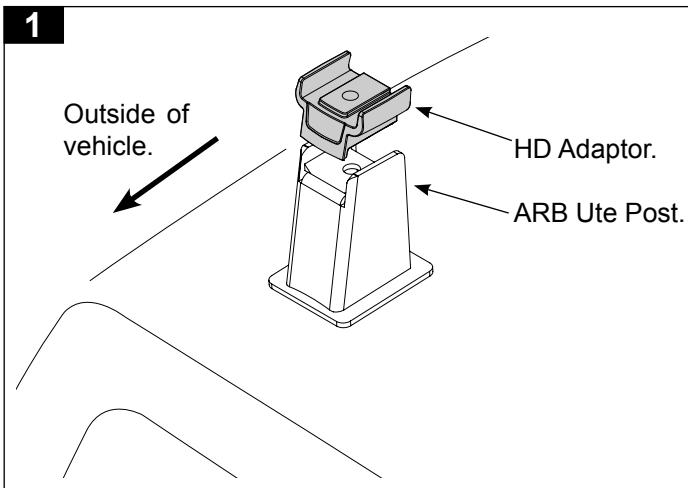


Tools Required:

½" ring spanner.

Rubber Mallet.

Tape measure.

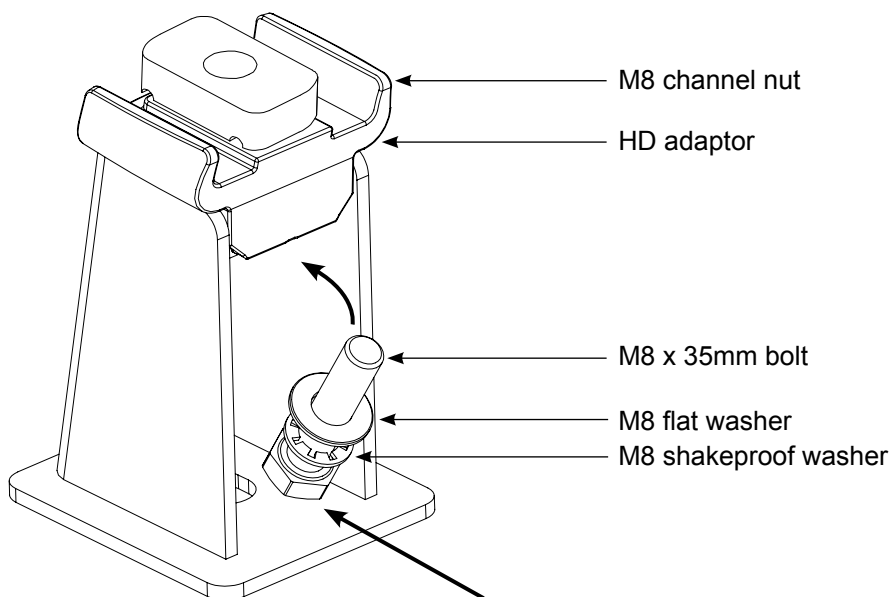


HD cross bar adaptor:

Sit the HD cross bar adaptor on top of each ute post.

2 **HD cross bar adaptor:**

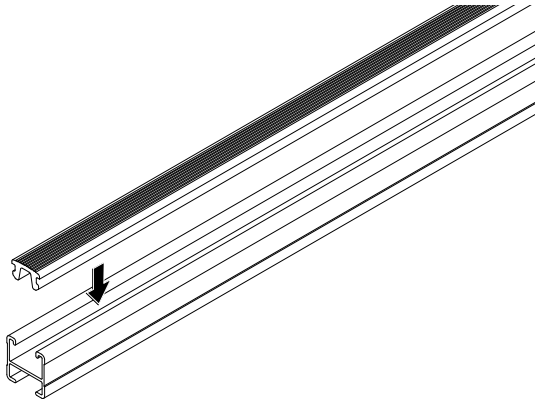
Assemble M8 x 35mm bolt with shakeproof and flat washers as shown below. With the shortest ute post, feed the head of the bolt in first then angle up to locate through the centre hole in the ute post. Fasten to the channel nut. Do not fully tighten at this stage.





ARB HD

3



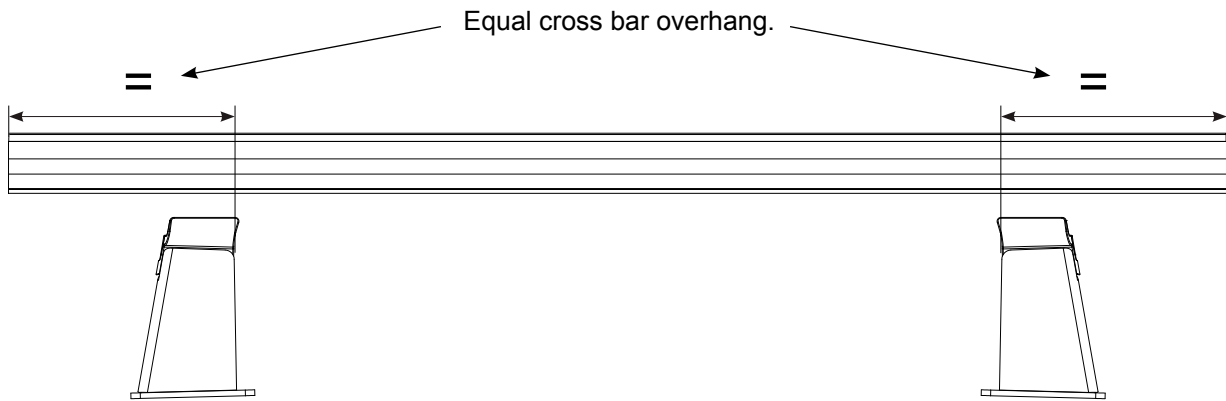
Cross bar rubber:

Insert the cross bar rubber buffer strip into the top of the cross bar.

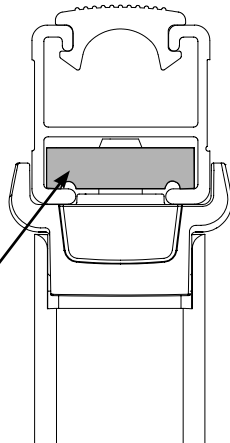
4

Cross bar overhang:

Lay the cross bar on top of ute posts/adaptors. Measure each side to establish equal overhang distance.



5

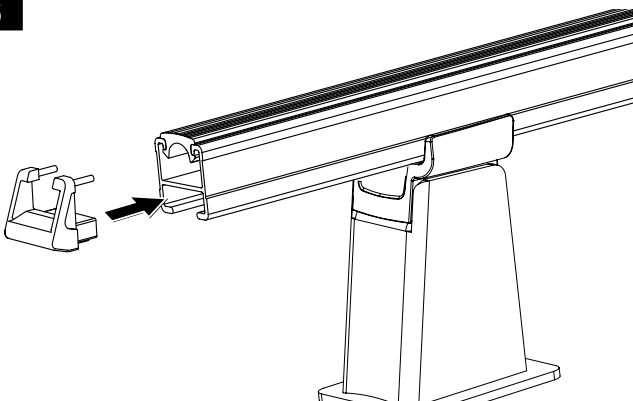


Channel Nut **MUST** fully locate across the bar when tight.

Fasten hardware:

Check that the channel nut is fully located across the cross bar before tightening.
Tighten M8 bolts to 14-16 Nm.

6



End caps:

A rubber mallet may be needed to knock the end caps in place.