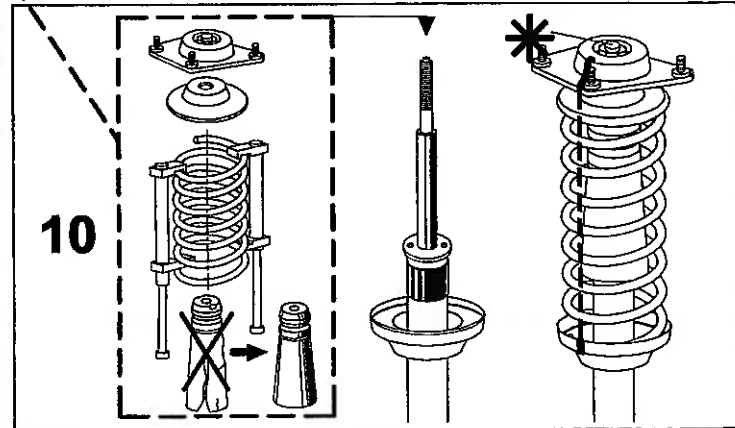
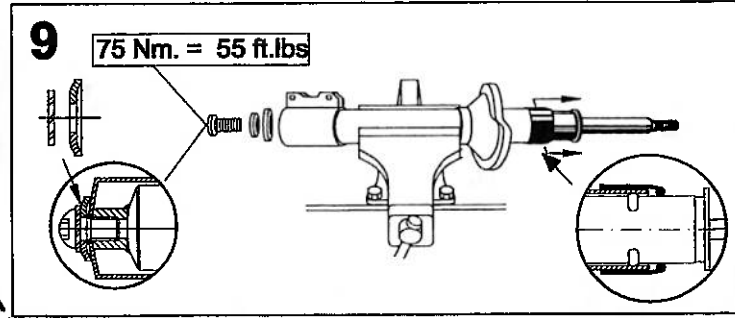
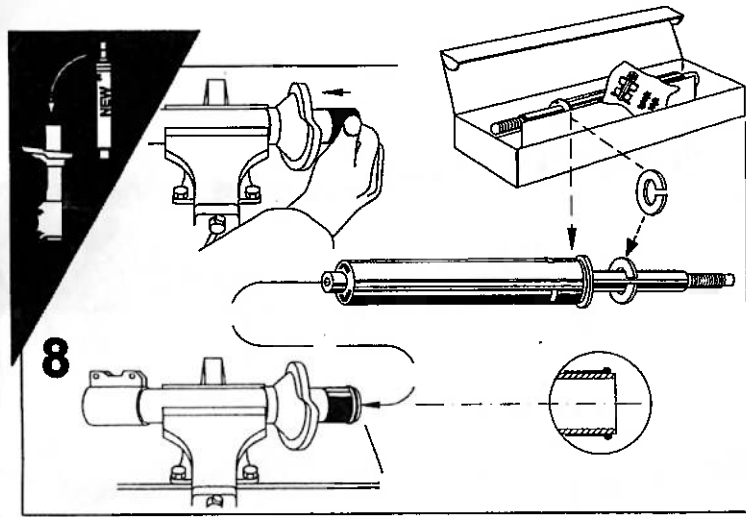
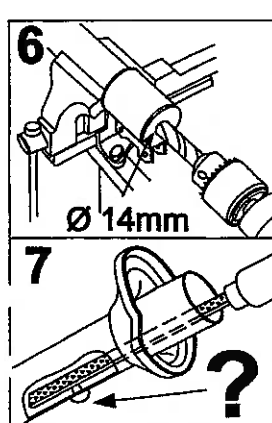
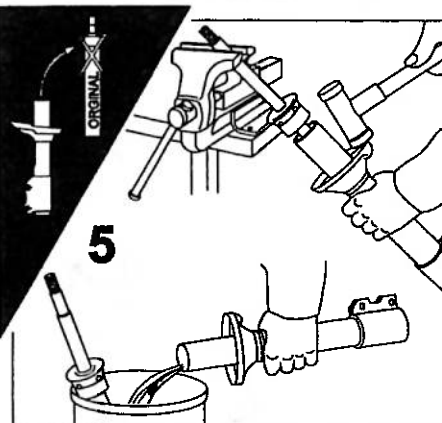
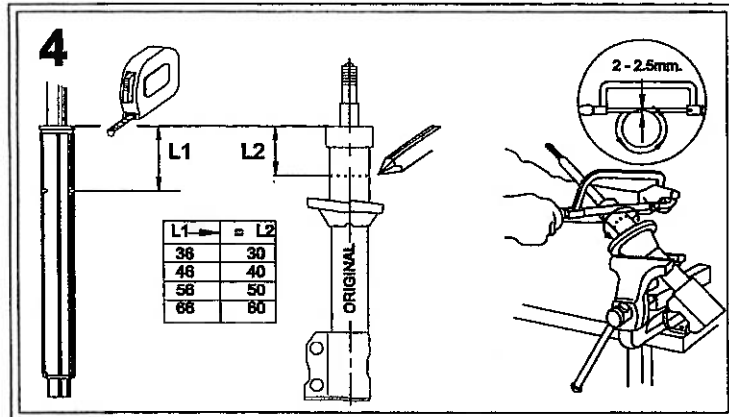
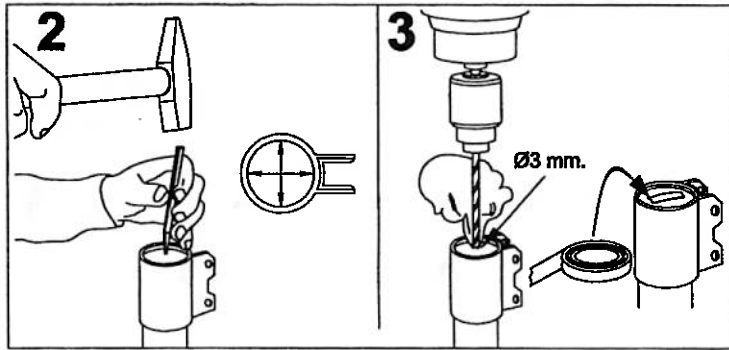
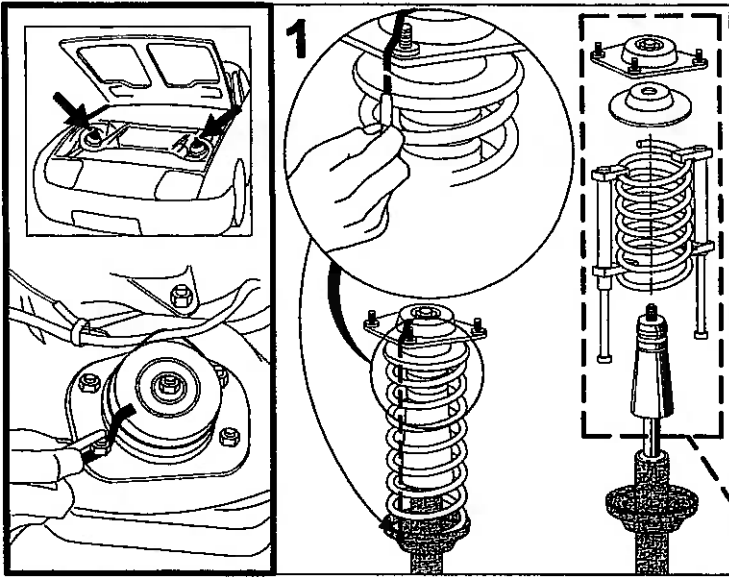




instruction

1027 05 20 22
207/2



	M 10	M 12	M 14	M 16	M 18	M
	35 Nm (26 ft. lbs)	50 Nm (37 ft. lbs)	80 Nm (59 ft. lbs)	120 Nm (89 ft. lbs)	185 Nm (126 ft. lbs)	
	45 Nm (33 ft. lbs)	80 Nm (59 ft. lbs)	125 Nm (92 ft. lbs)	180 Nm (133 ft. lbs)	250 Nm (185 ft. lbs)	
	—	50 Nm (37 ft. lbs)	80 Nm (59 ft. lbs)	120 Nm (89 ft. lbs)	185 Nm (126 ft. lbs)	

