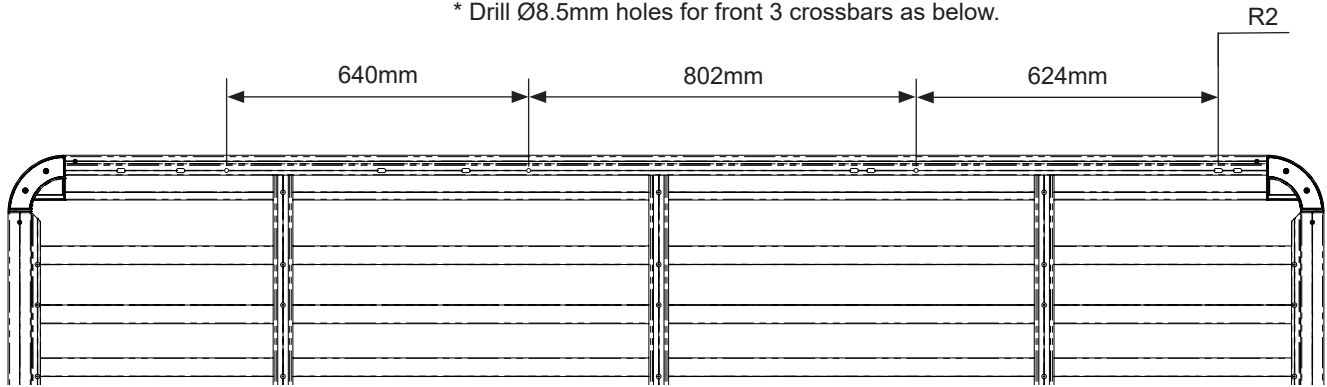




Fitting Chart - VOLKSWAGEN Transporter 2dr Van (Low Roof) T5-T6

PIONEER 42105B (2728 x 1465mm)

* Drill Ø8.5mm holes for front 3 crossbars as below.



Front of Tray

Note: Pioneer roller can be fitted to the rear of this tray without having to adjust the fitment position.



Front Crossbar			Middle-Front Crossbar			Middle Crossbar			Rear Crossbar		
Front Slot	Dim. A	Leg Height Spacer	MF Slot	Dim. A	Leg Height Spacer	Middle Slot	Dim. A	Leg Height Spacer	Rear Slot	Dim. A	Leg Height Spacer
Drill Hole Ø8.5mm		LHSPAIR	Drill Hole Ø8.5mm		-	Drill Hole Ø8.5mm		-	R2		LHSPAIR

Country	Vehicle	Running Date	Vehicle Load Rating (kg)	Fit Kit
Australia & NZ	VOLKSWAGEN Transporter 2dr Van (Low Roof) T5	08/04 - on	100 / 220	4 x RLFT5 2 x LHSPAIR
South Africa	VOLKSWAGEN Transporter 2dr Van (Low Roof) T5	08/04 - on		
UK & Europe	VOLKSWAGEN Transporter 2dr Van (Low Roof) T5	2003 - on		

Note for Dealers and Fitters:

It is your responsibility to ensure these fitting instructions are given to the end user or client

Rhino-Rack, 22 Hanson Pl, Eastern Creek

NSW 2766, Australia

(02) 8846 1900

rhinorack.com.au

These instructions remain the property of Rhino-Rack Australia Pty. Ltd. and may not be used or changed for any other purpose than intended.

Document No: R530

Prepared By: Kayle Everett

Authorised By: Nicholas Clarke

Issue No: 03

Issue Date: 20/02/2019