

# OVERZONE SERIES INSTRUCTIONS



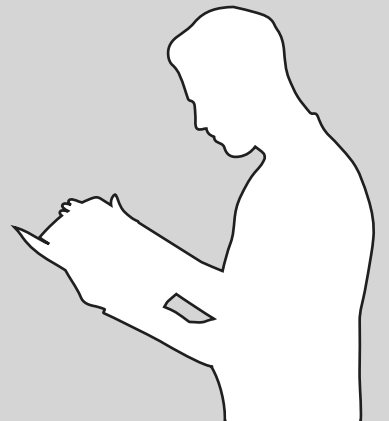
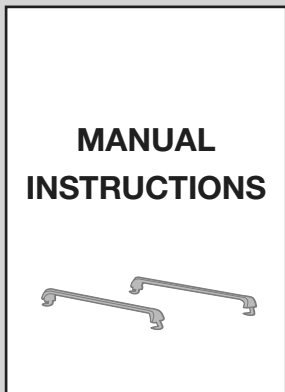
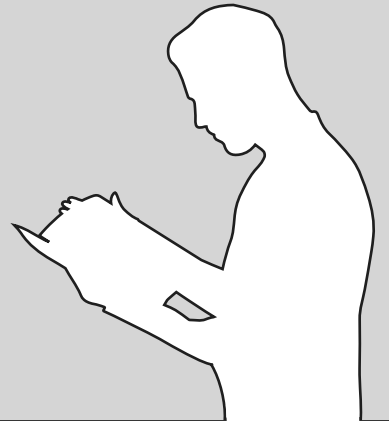
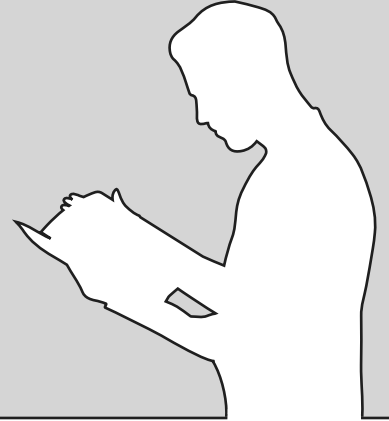
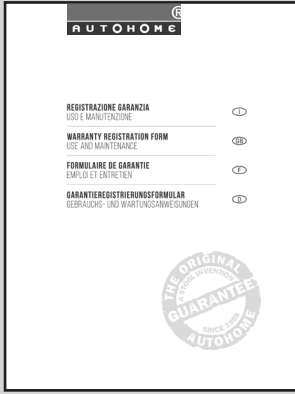
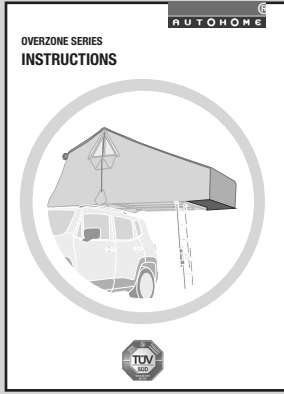


# WARNINGS

Avvertenze • Avertissement • Warnungen



| MODELS<br><i>Modelle<br/>Modèles<br/>Modelli</i>    | TENT WEIGHT<br><i>Zeltgewicht<br/>Poids de la tente<br/>Peso della tenda</i> | MAXIMUM OCCUPANTS WEIGHT<br><i>Maximales Bewohnergewicht<br/>Poids Maximum des occupants<br/>Peso massimo degli occupanti</i> | MEASURES WHEN CLOSE<br><i>Abmessungen bei geschlossenem Zelt<br/>Dimensions (tente fermée)<br/>Misure chiusa</i> | MEASURES WHEN OPEN<br><i>Abmessungen bei offenem Zelt<br/>Dimensions (tente ouverte)<br/>Misure aperta</i> |
|---|--|---|--|--|
| Overzone Small<br>Overzone Medium<br>Overzone Large | ca. 56 kg<br>ca. 65 kg<br>ca. 74 kg  | ca. 180 kg<br>ca. 230 kg<br>ca. 280 kg  | 130x110x35 cm<br>160x110x35 cm<br>180x110x35 cm  | 130x220+70 (appendix) x125cm<br>160x220+70 (appendix) x125 cm<br>180x220x70 (appendix) x 125               |

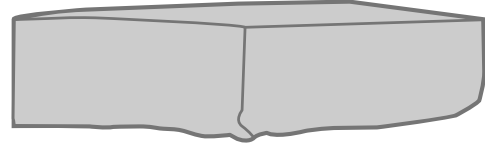




**Kg P1**



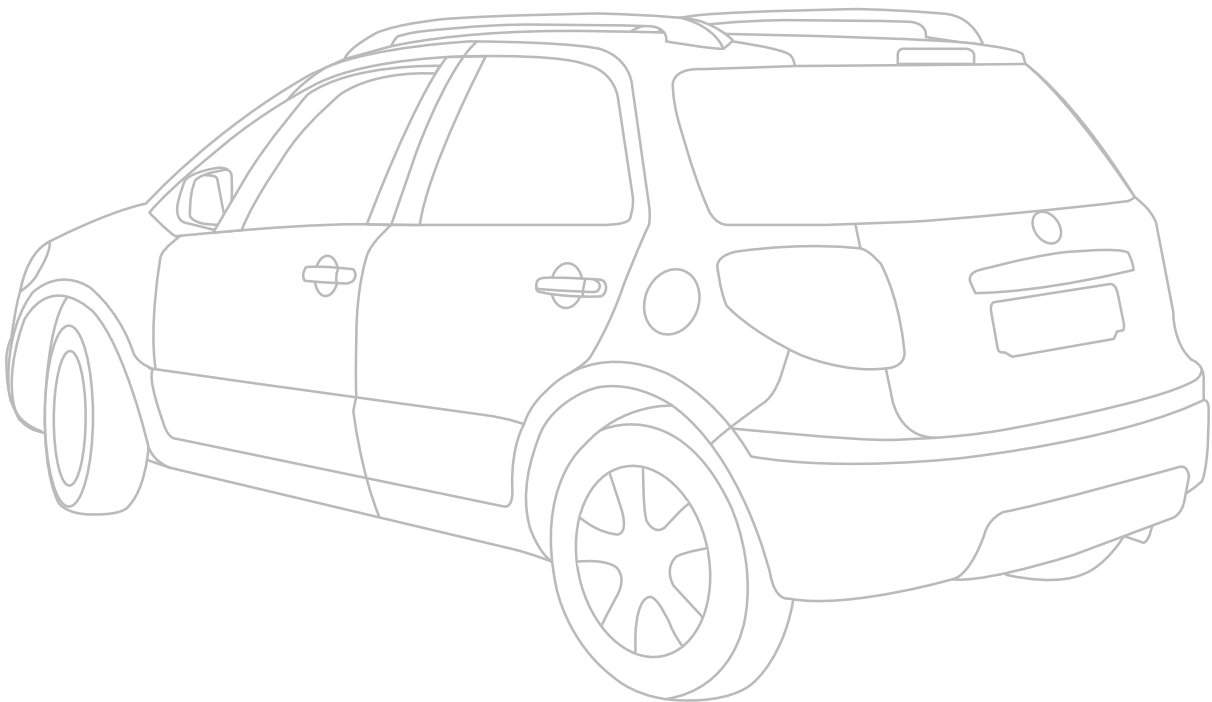
**Kg P2**

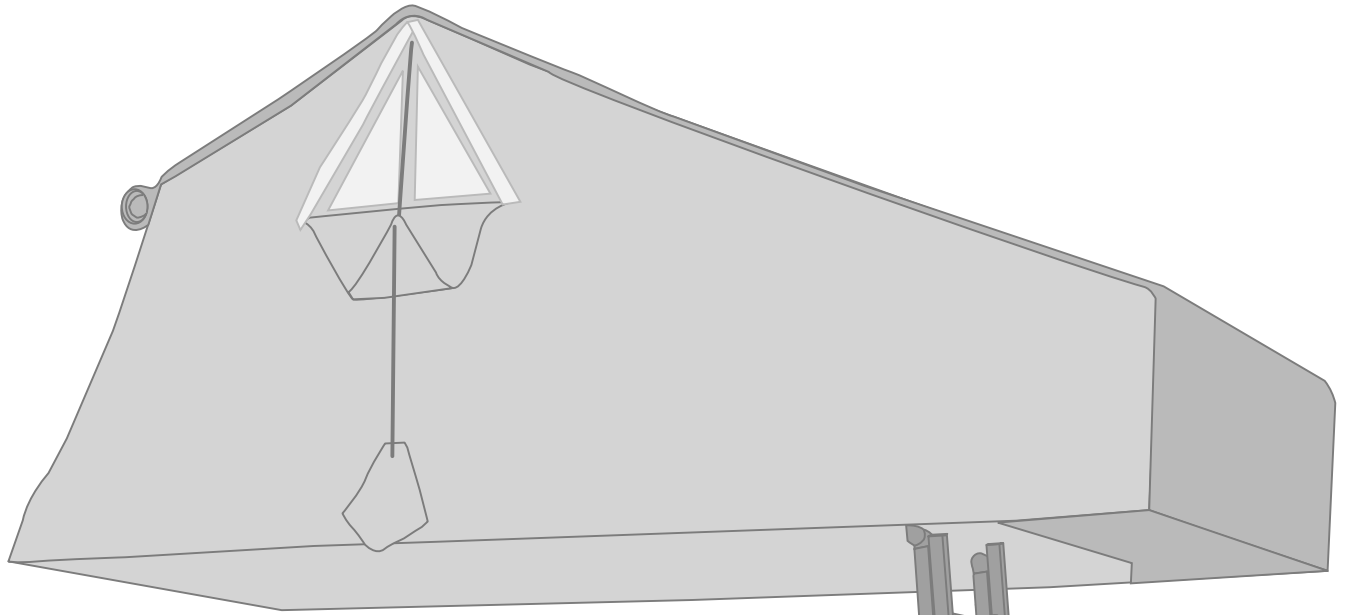


$$( P1 + P2 ) \leq \text{Kg } P_{MAX}$$



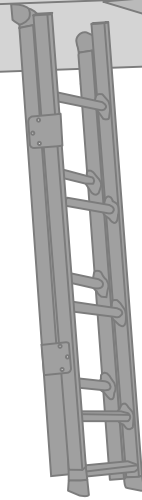
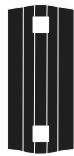
**Kg P<sub>MAX</sub>**





**UP**

**UNDER**



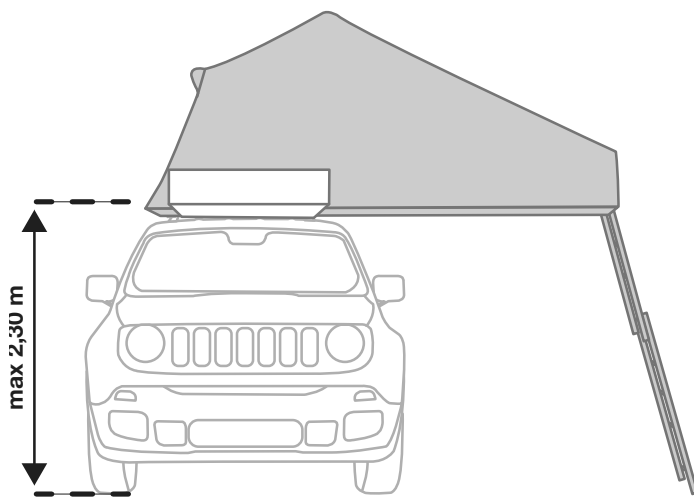
**X8**

**X8**

**X4**

**X8**

**X1**



**X10**



**X4**

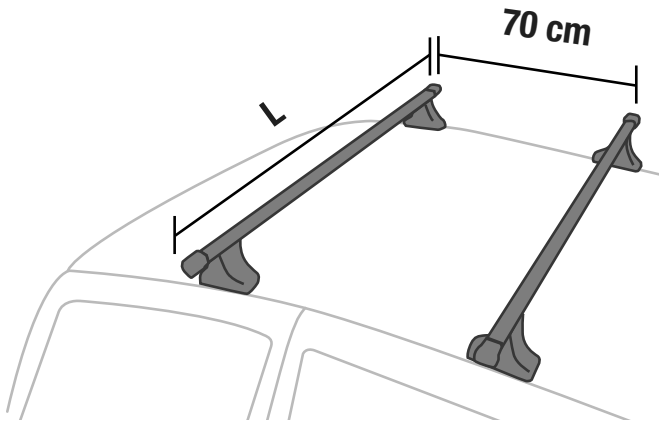
# POSITIONING

Posizionamento • Placement • Platzierung

1

## Minimum length

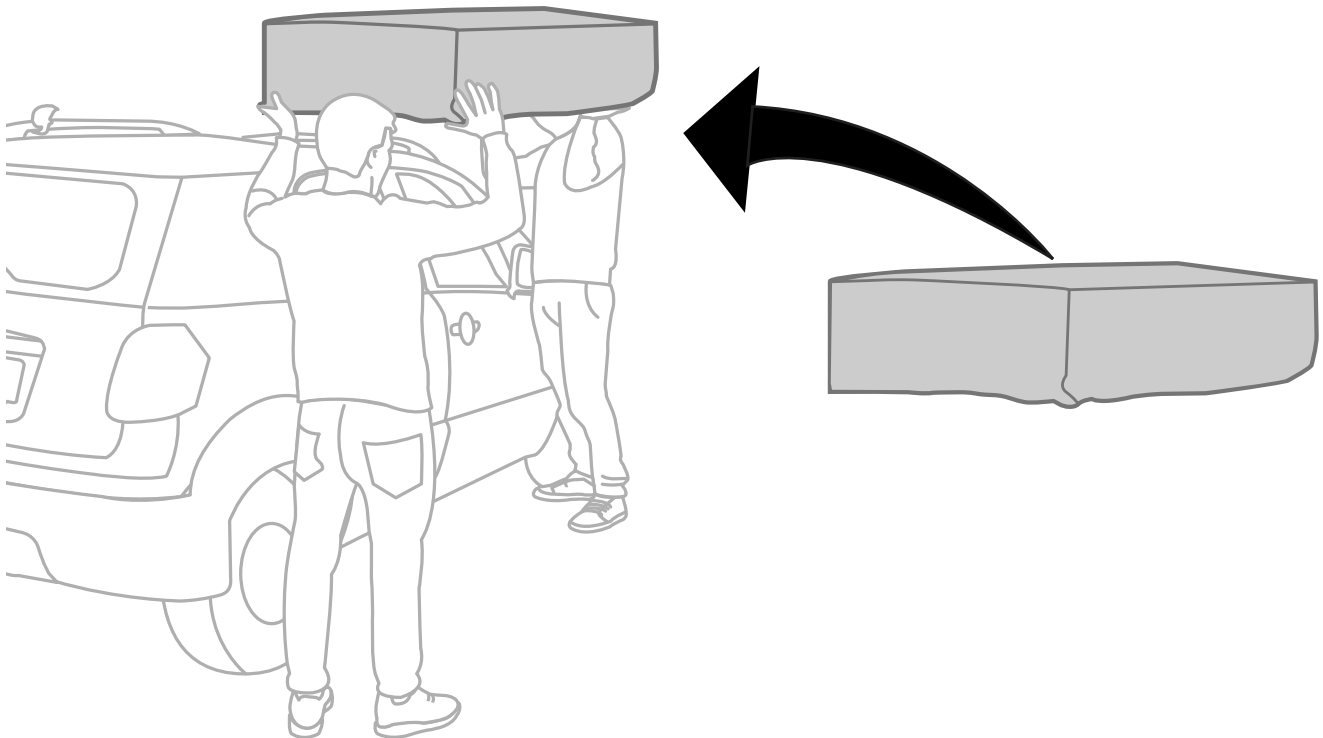
Lunghezza minima • Longueur minimale • Mindestlänge



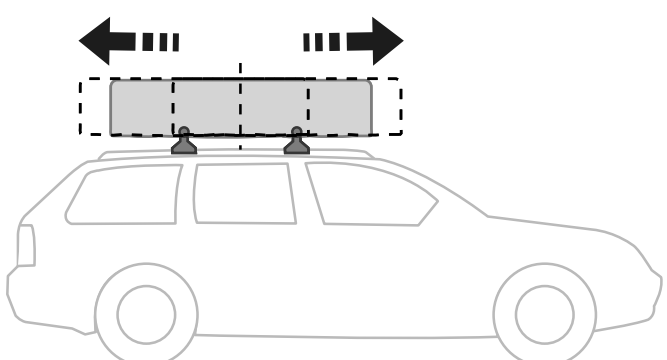
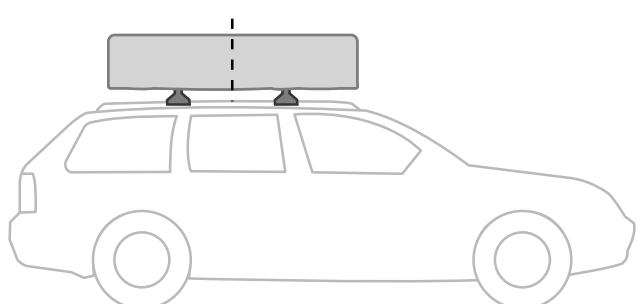
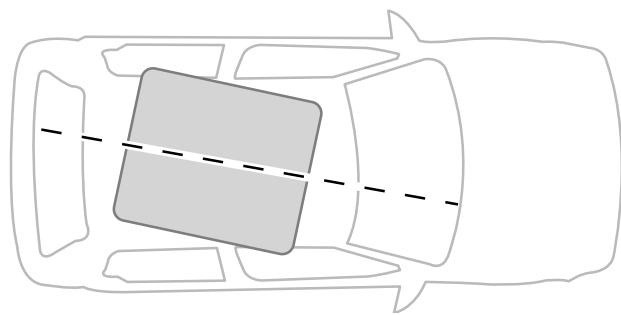
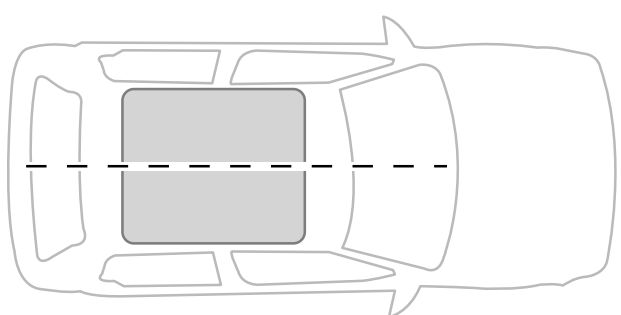
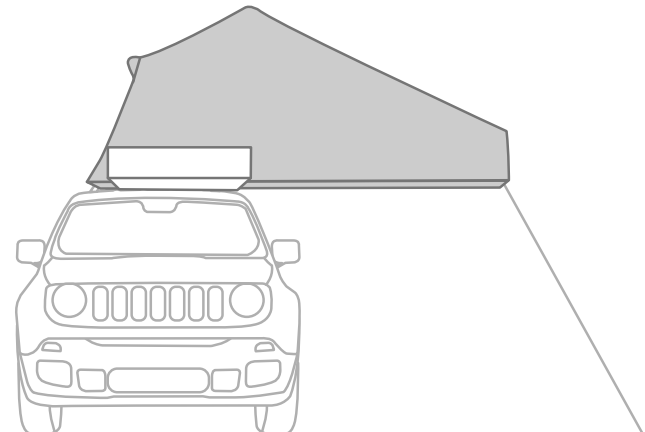
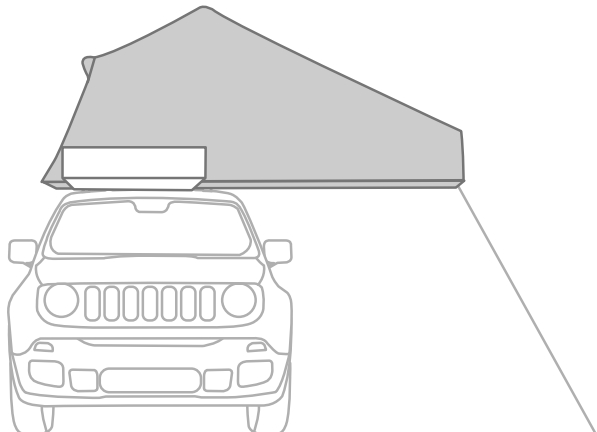
## ROOF TENT

L

|                        |              |
|------------------------|--------------|
| Overzone <b>Small</b>  | 110 - 120 cm |
| Overzone <b>Medium</b> | 110 - 120 cm |
| Overzone <b>Large</b>  | 110 - 120 cm |



2

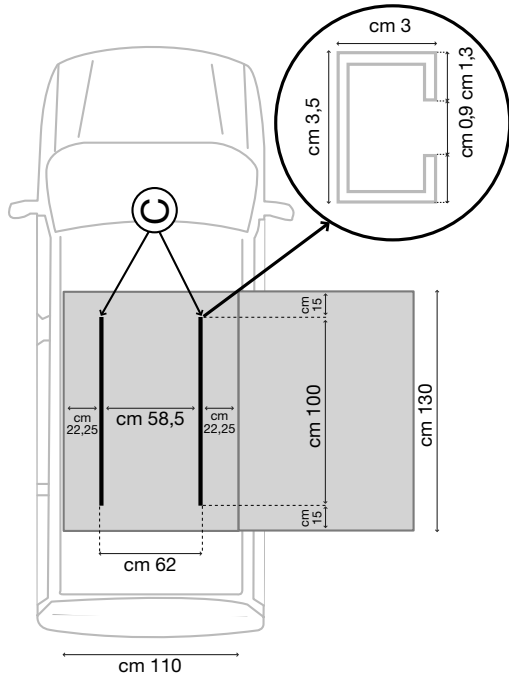


# FIXING

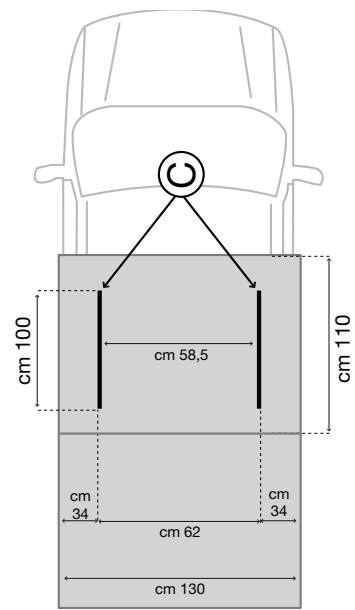
Fissaggio • Fixation • Befestigung

3

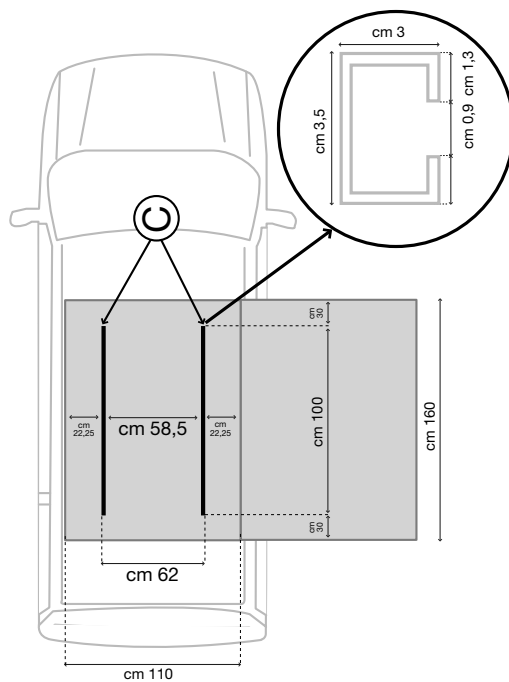
### STANDARD FIXING OVERLAND SMALL



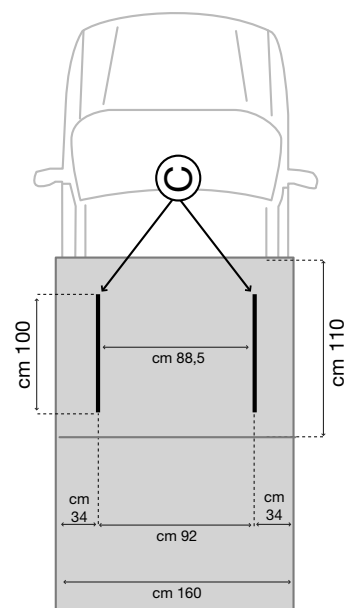
### EXPLORER FIXING OVERLAND SMALL



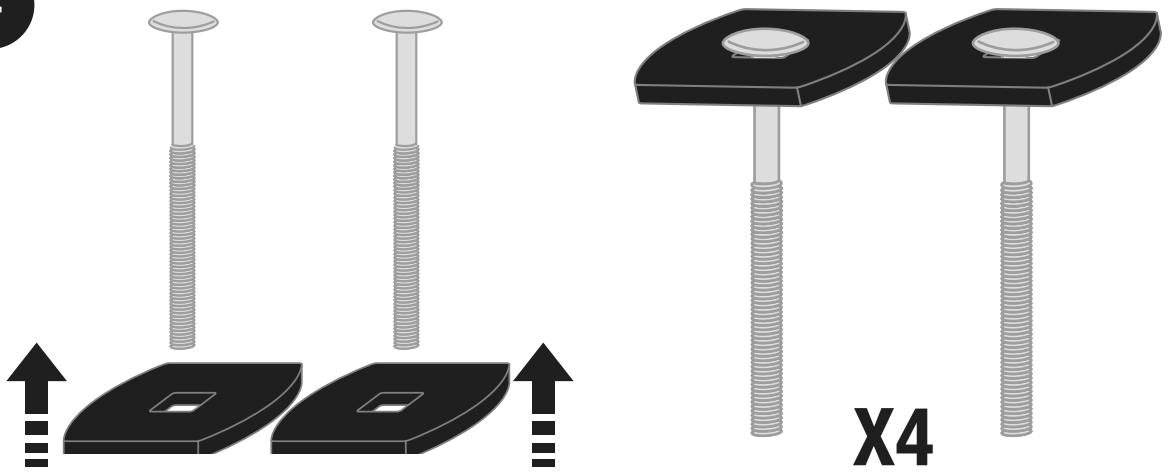
### STANDARD FIXING OVERLAND MEDIUM



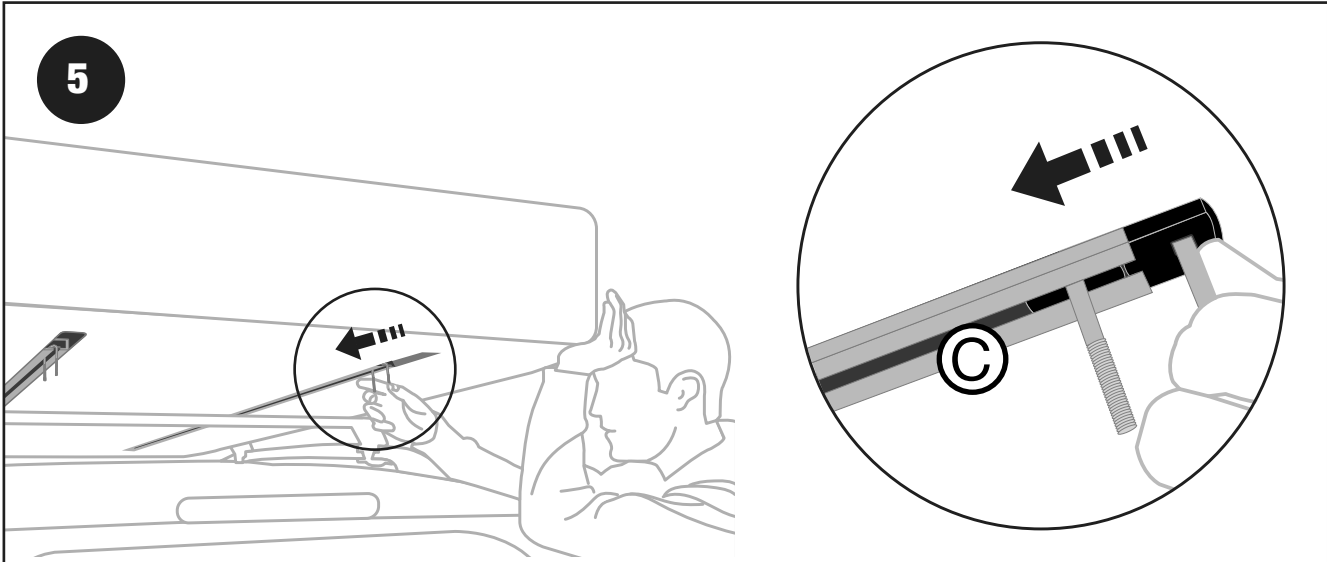
### EXPLORER FIXING OVERLAND MEDIUM



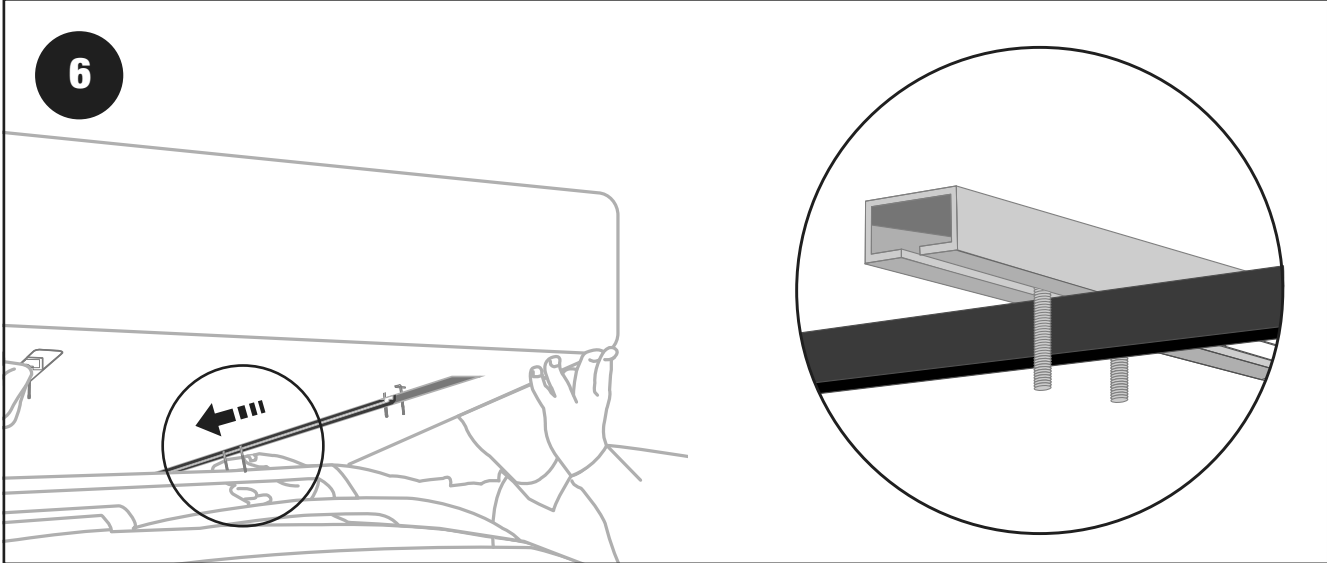
4



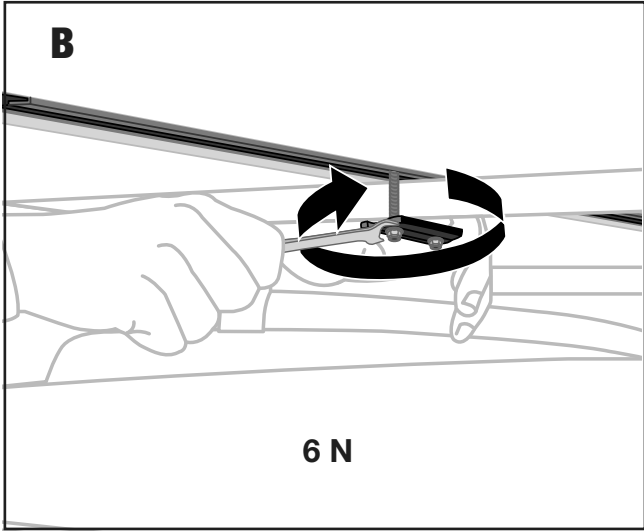
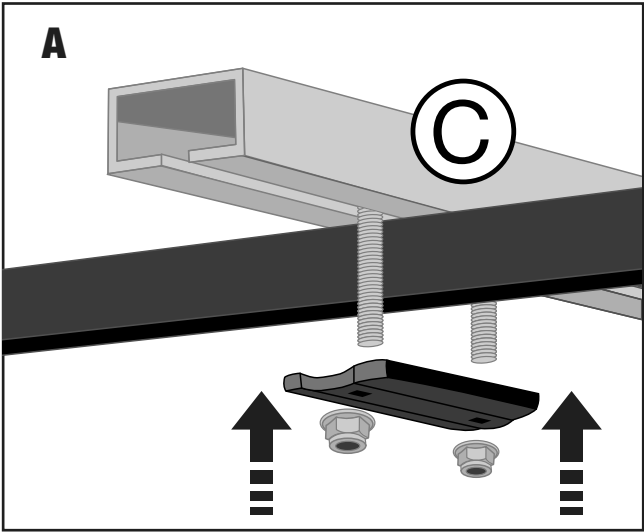
5



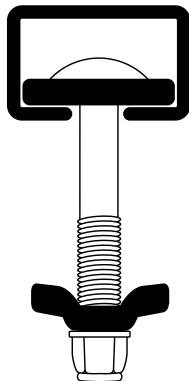
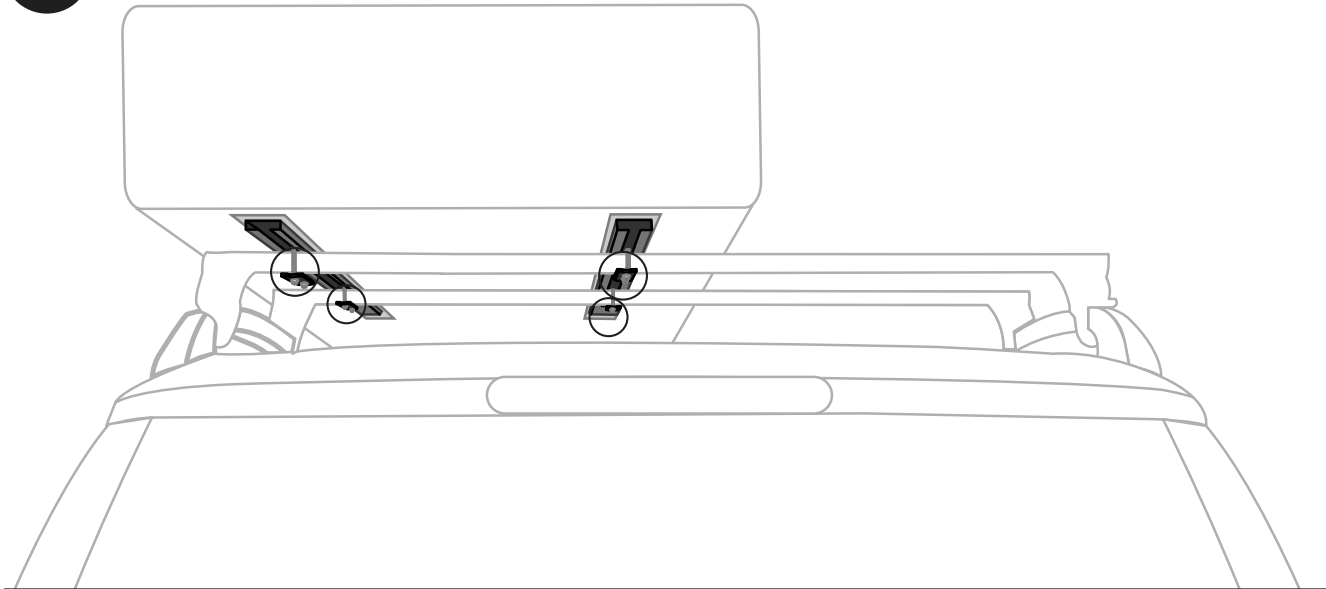
6



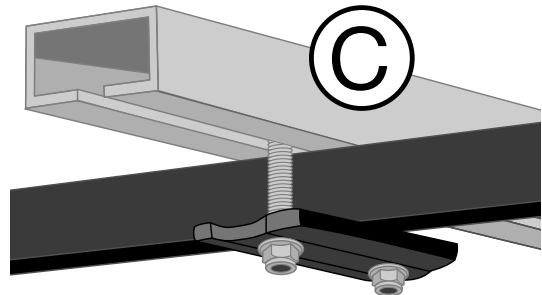
7



8



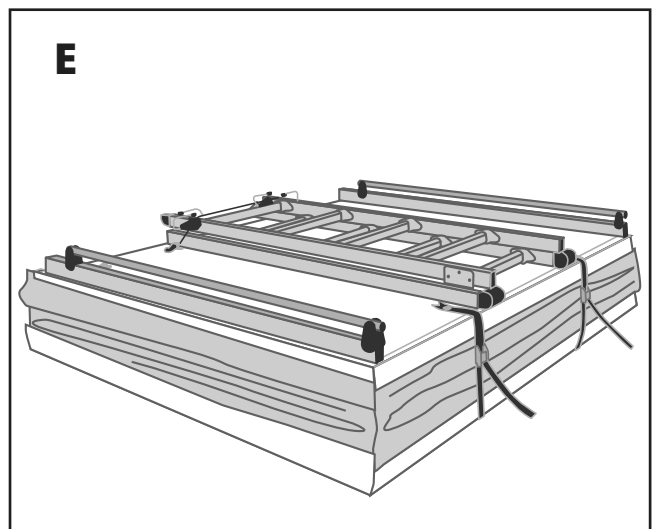
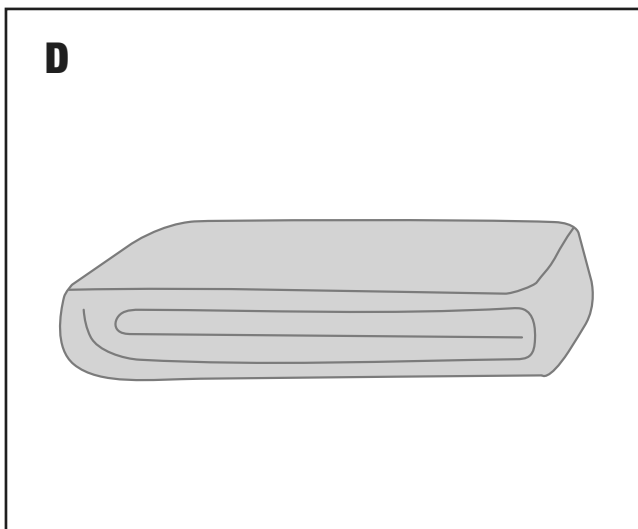
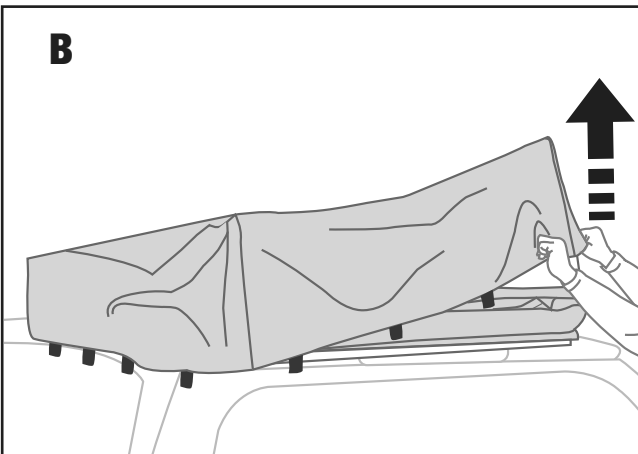
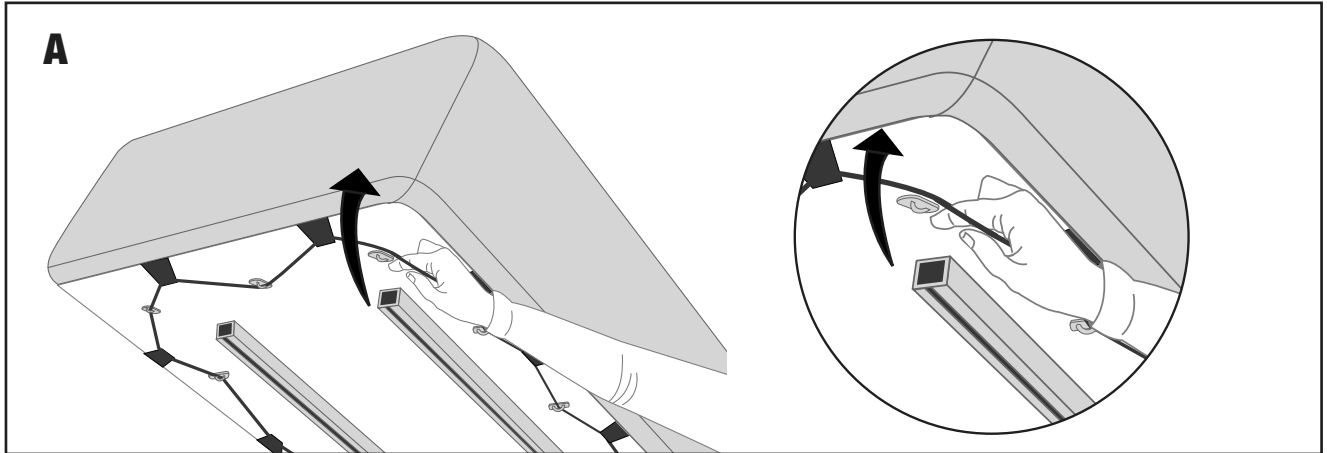
X4



# OPENING

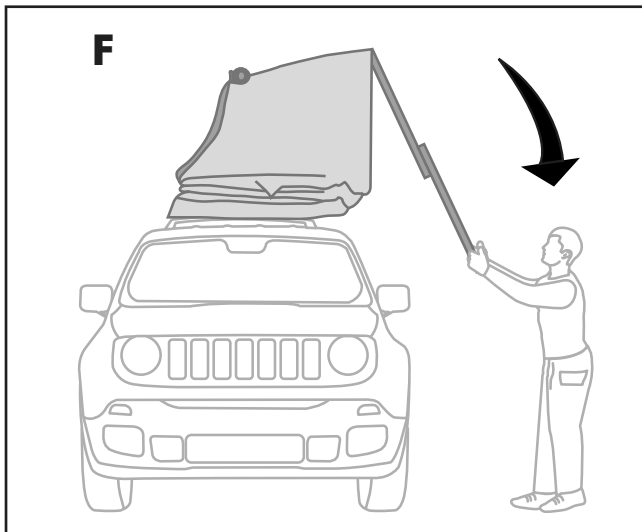
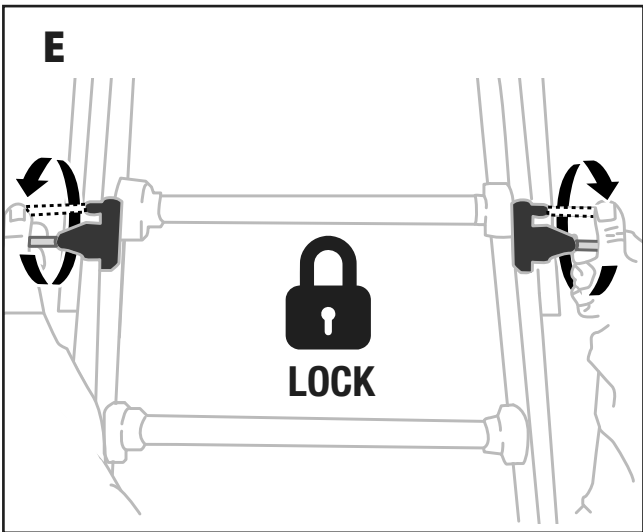
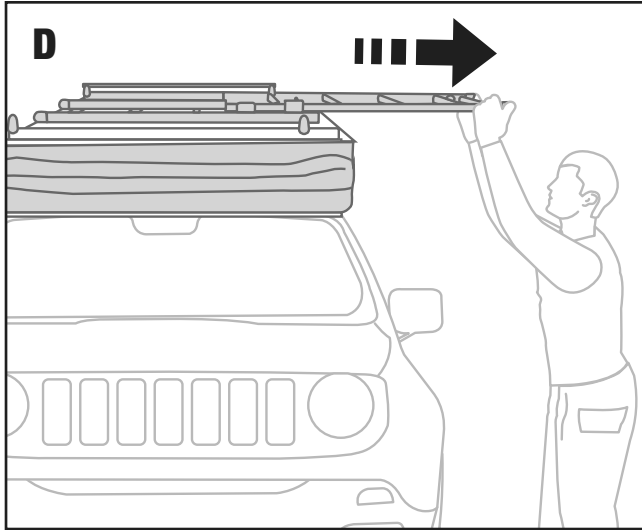
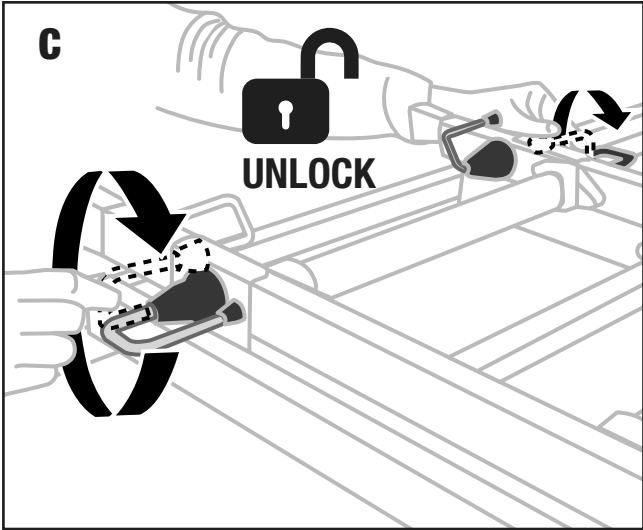
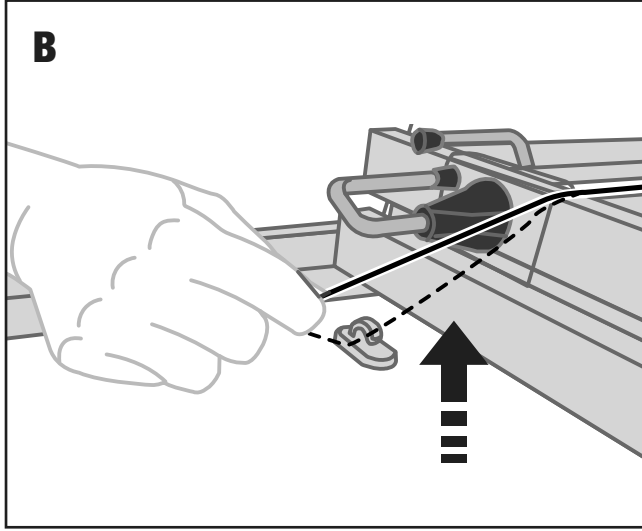
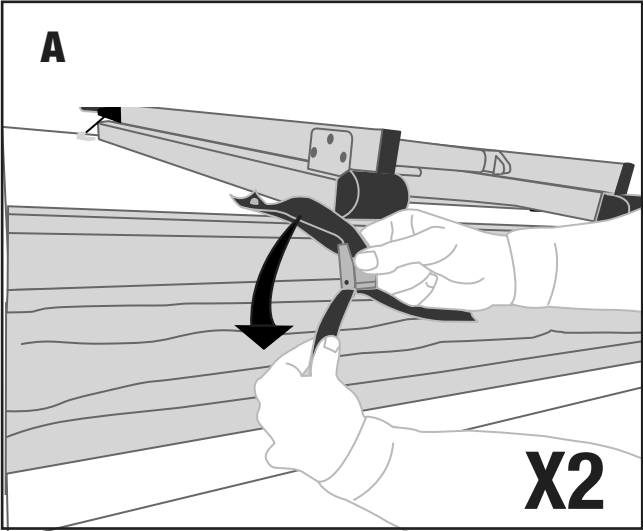
Apertura • Overture • Öffnung

9



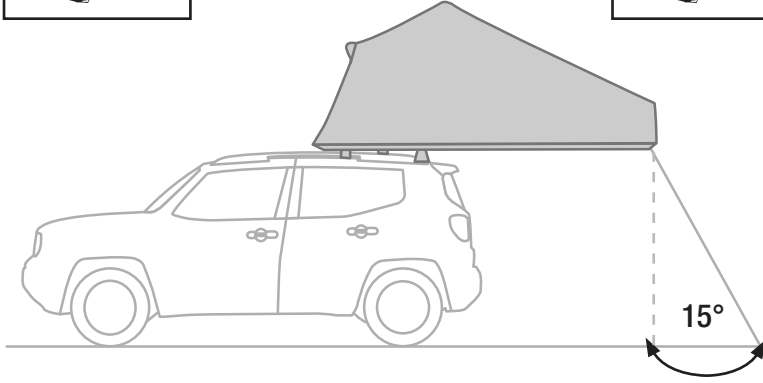


10

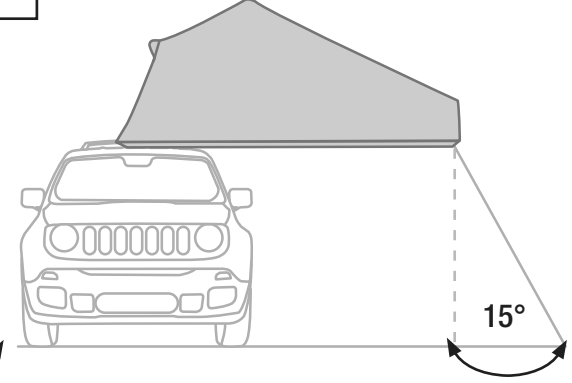


11

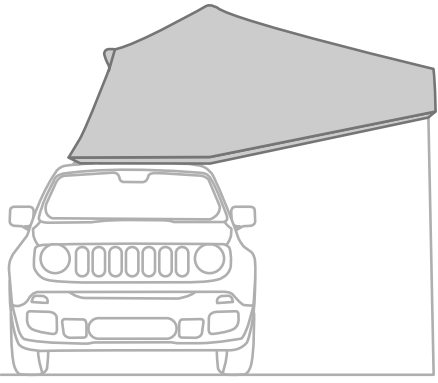
ok ✓



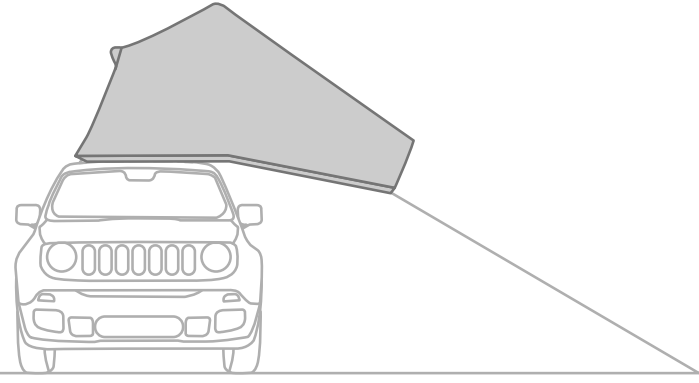
ok ✓



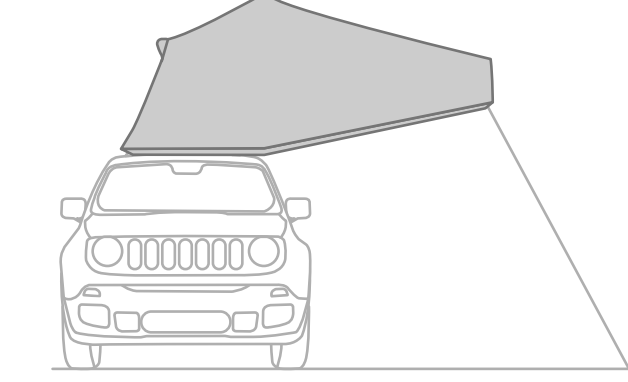
NOT ok ✗



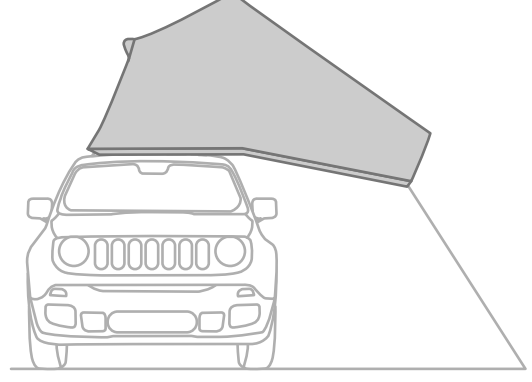
NOT ok ✗



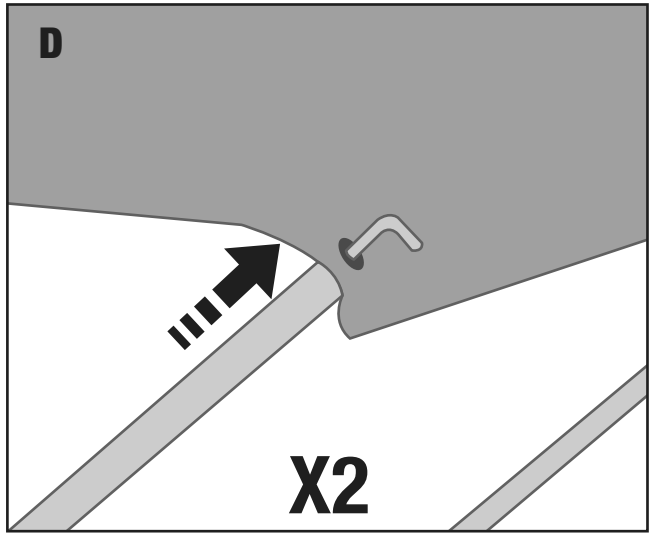
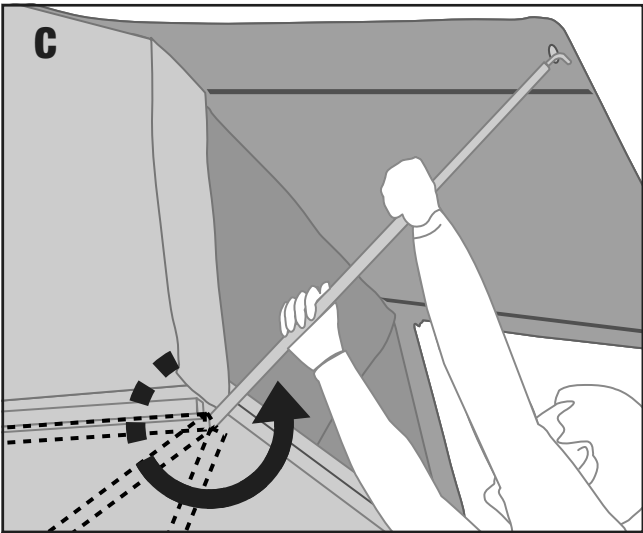
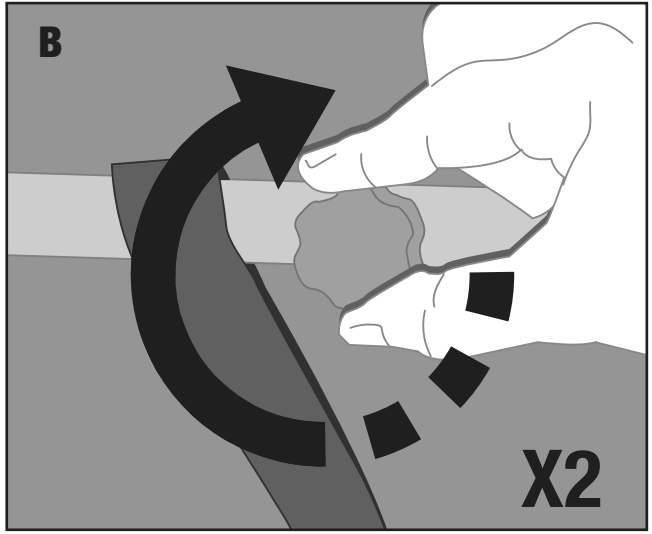
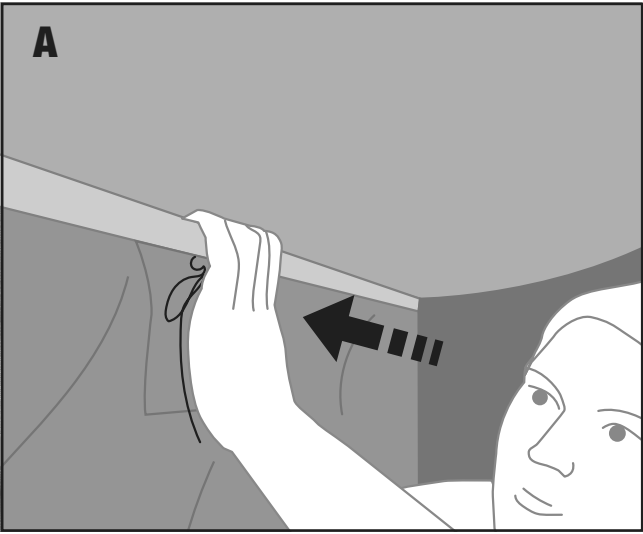
NOT ok ✗



NOT ok ✗



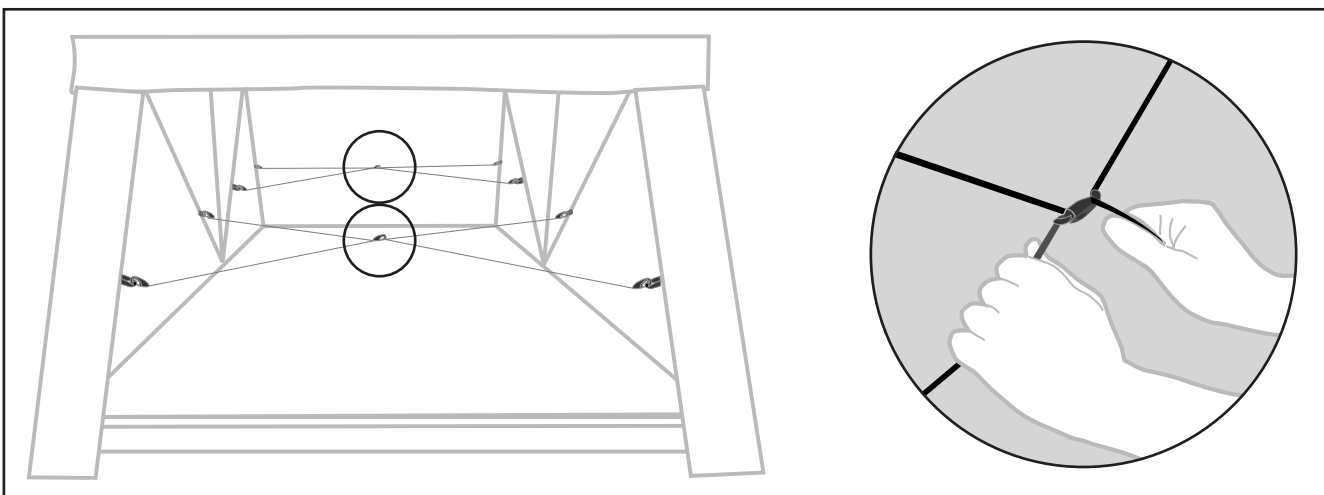
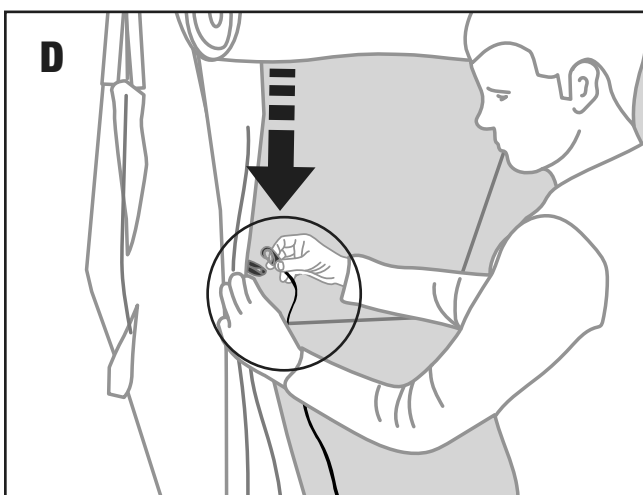
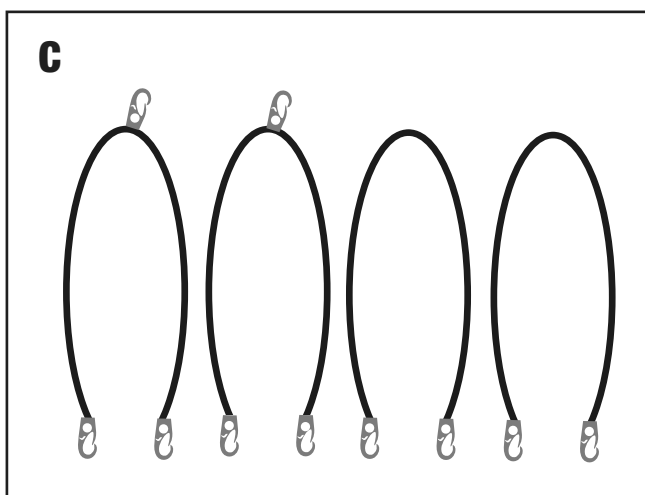
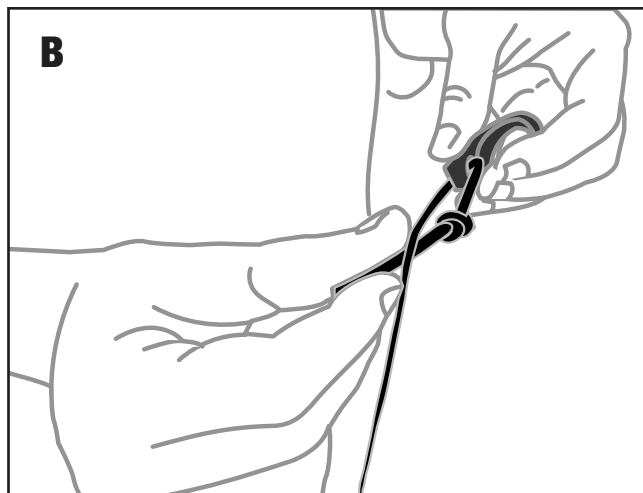
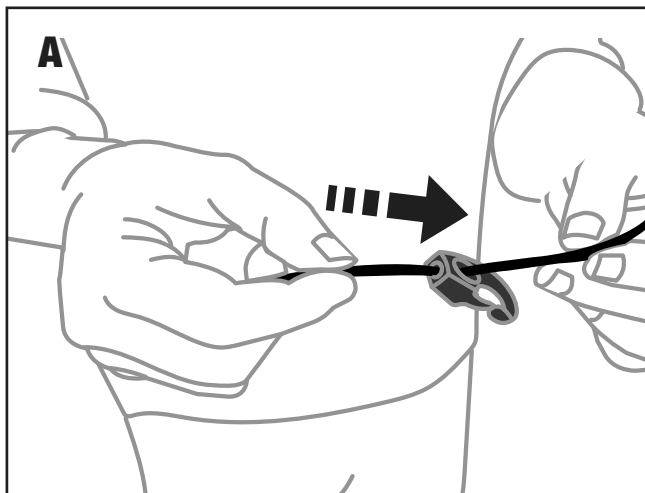
12



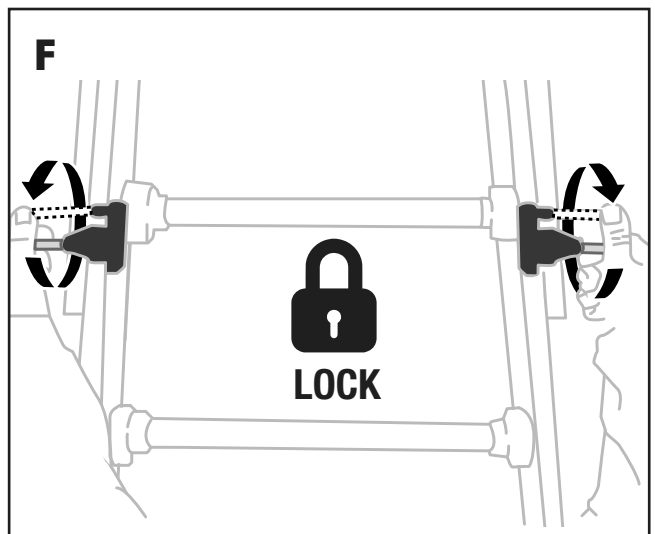
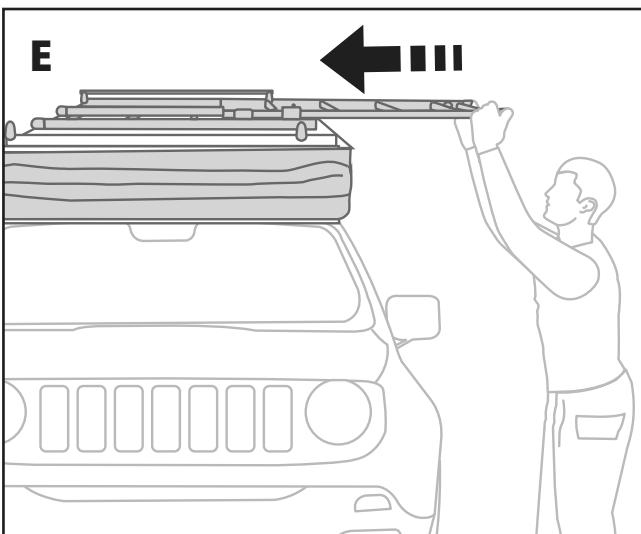
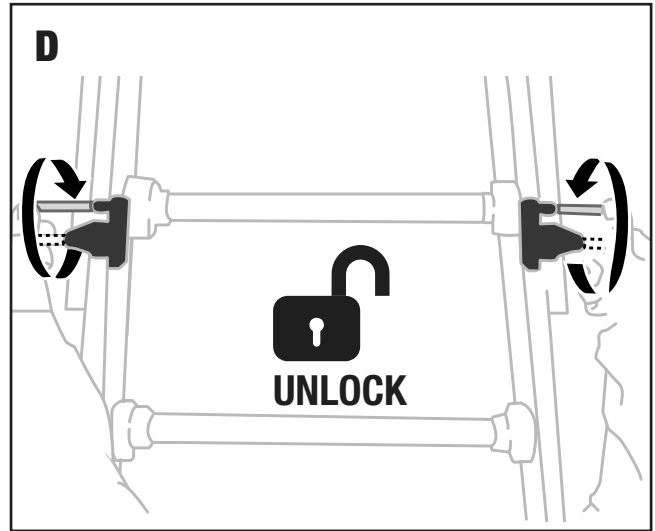
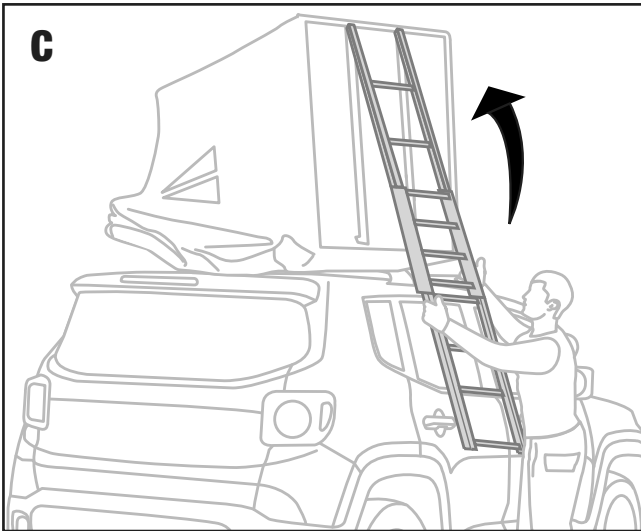
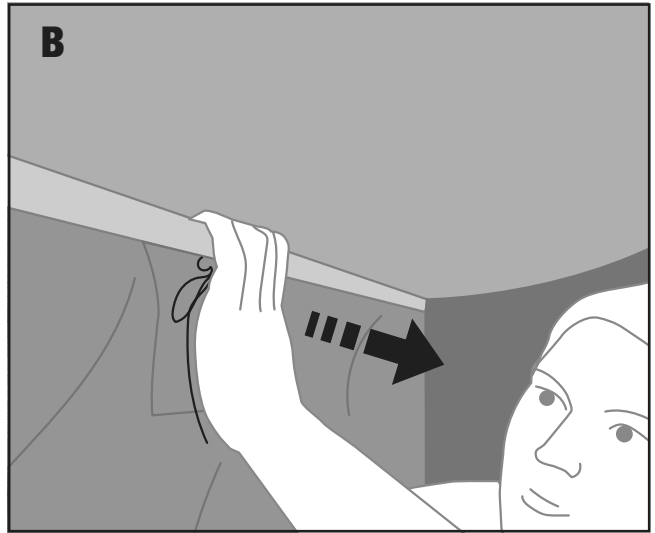
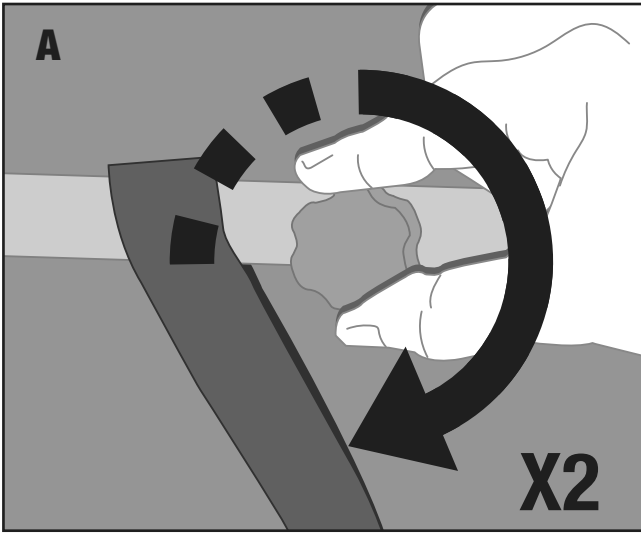
# CLOSING

Chiusura • Fermeture • Schließung

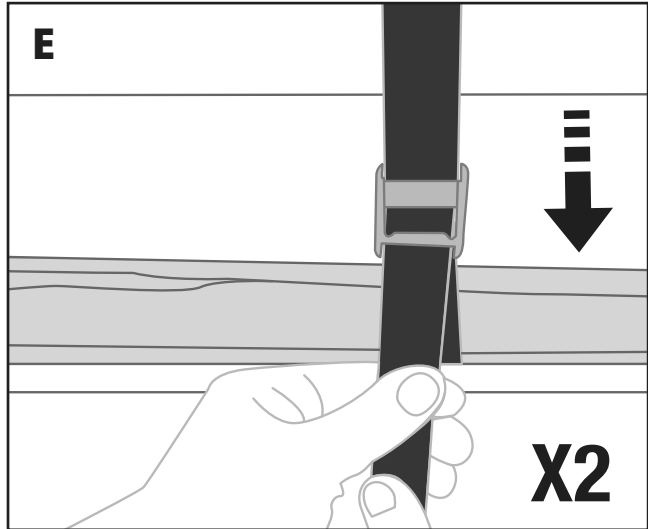
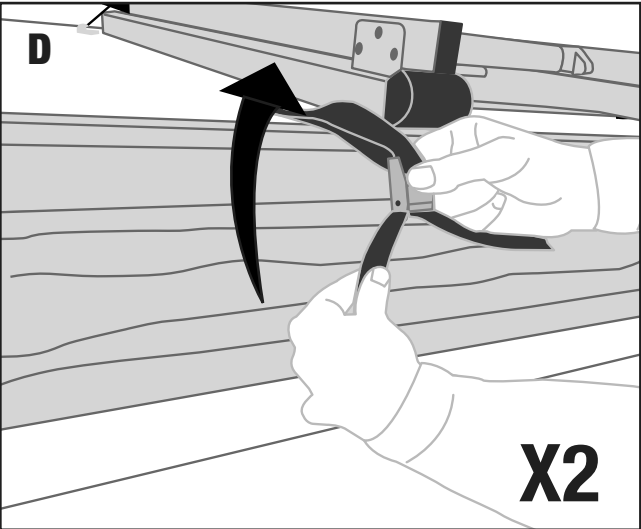
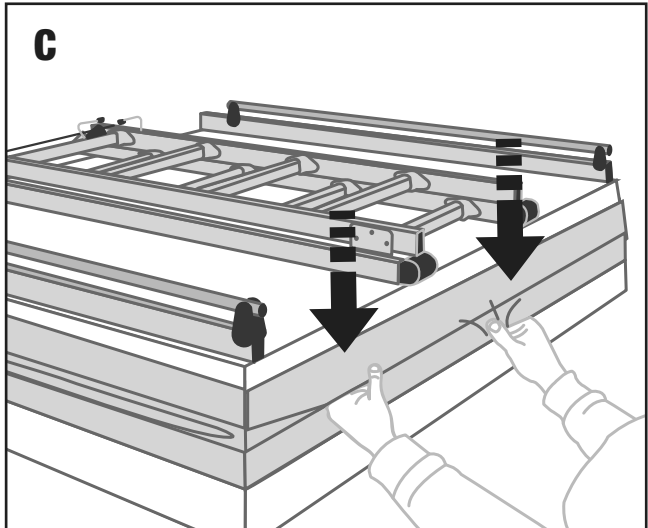
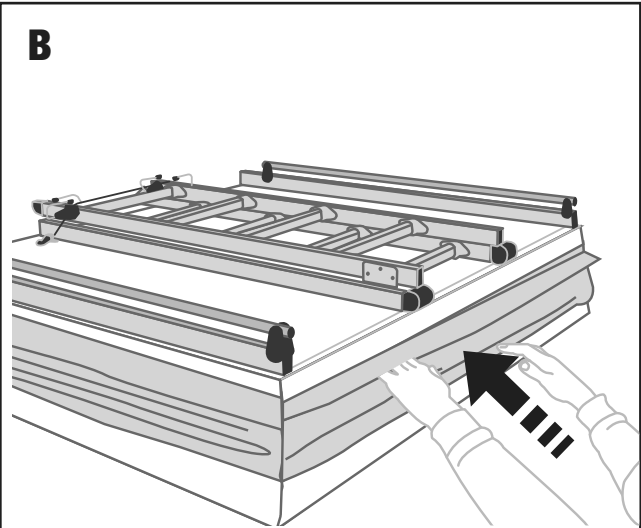
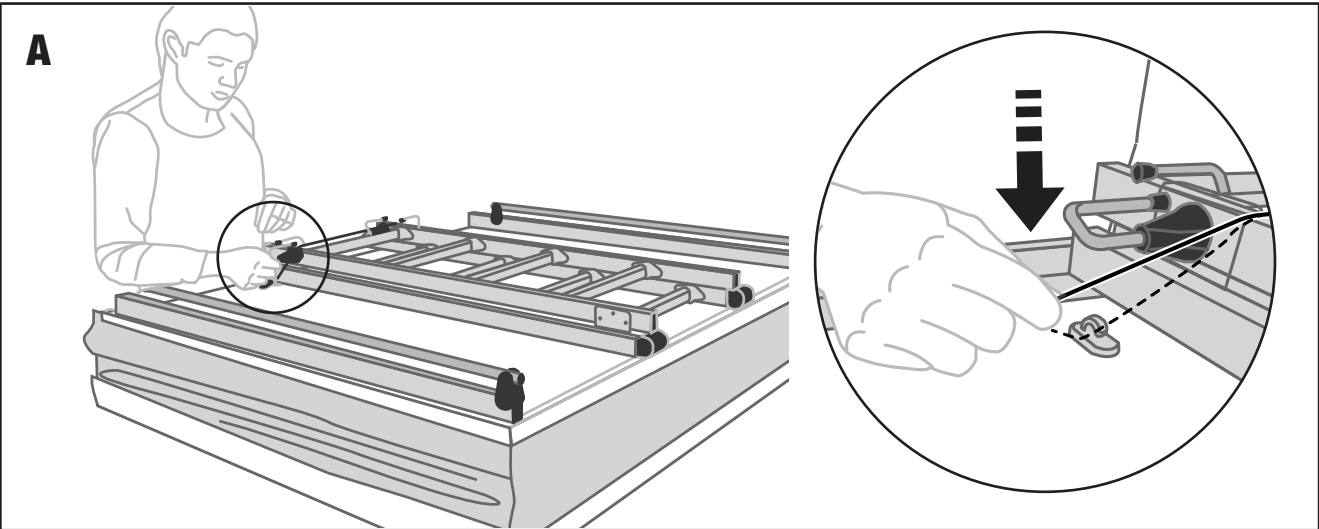
13

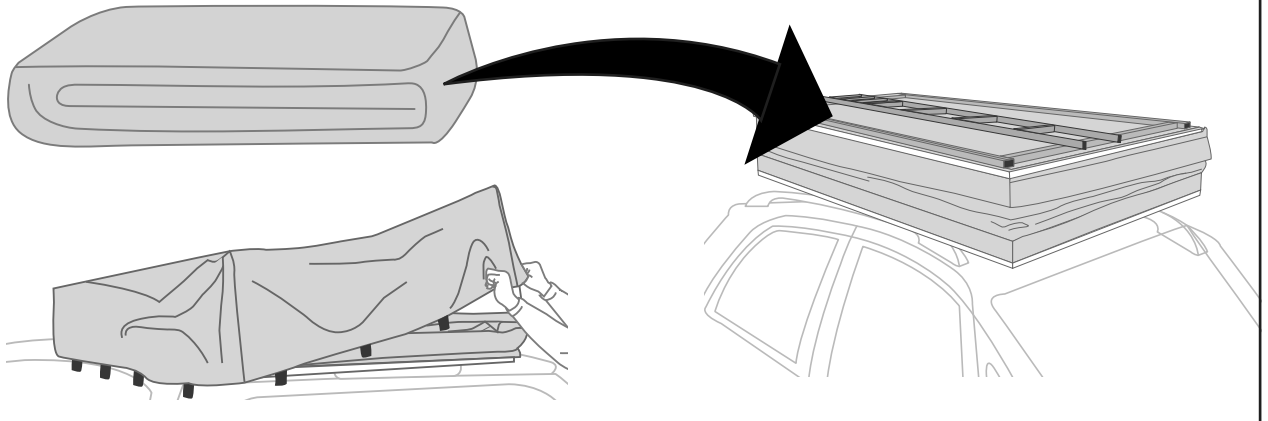
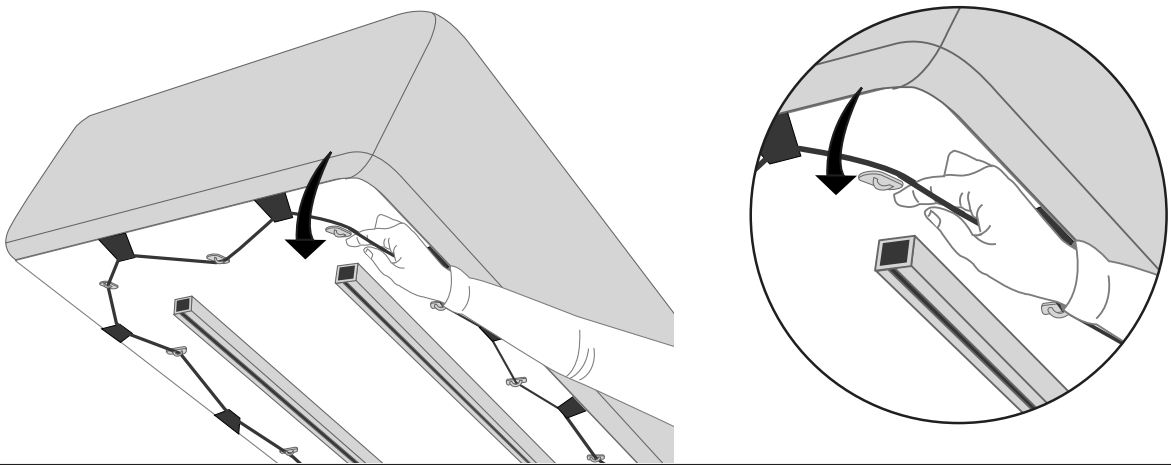
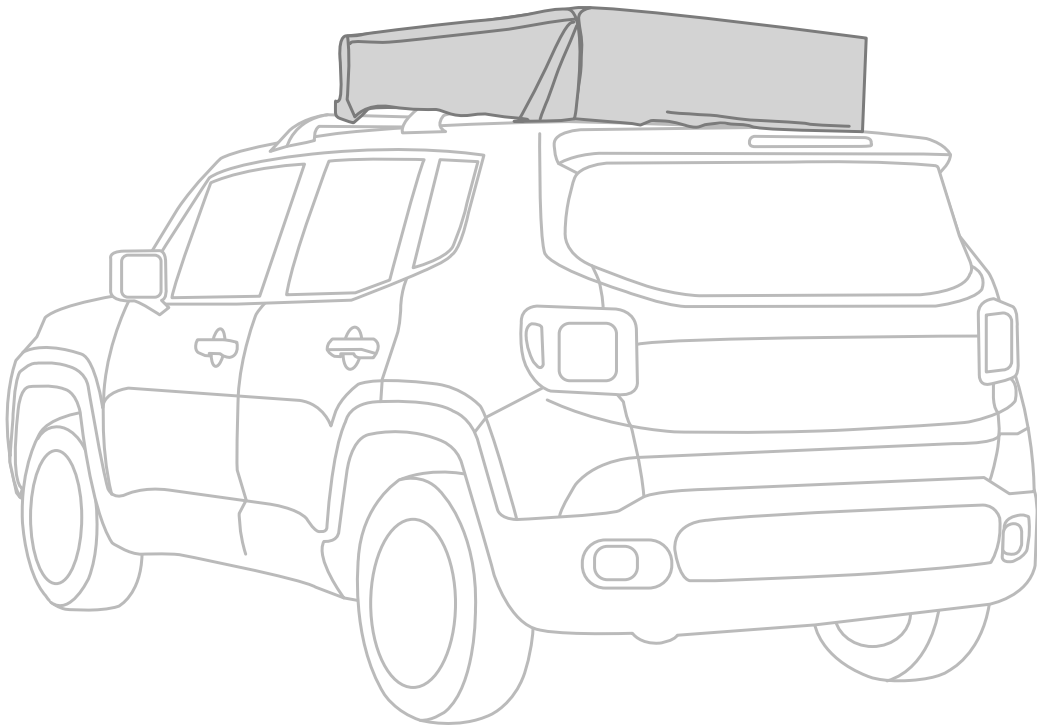


14

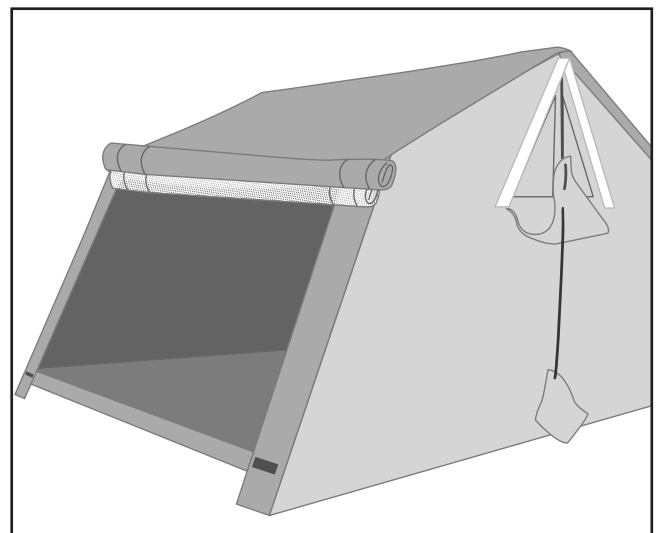
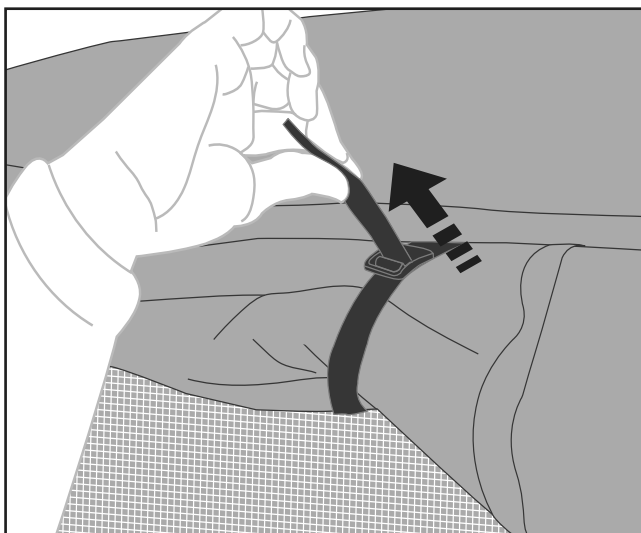
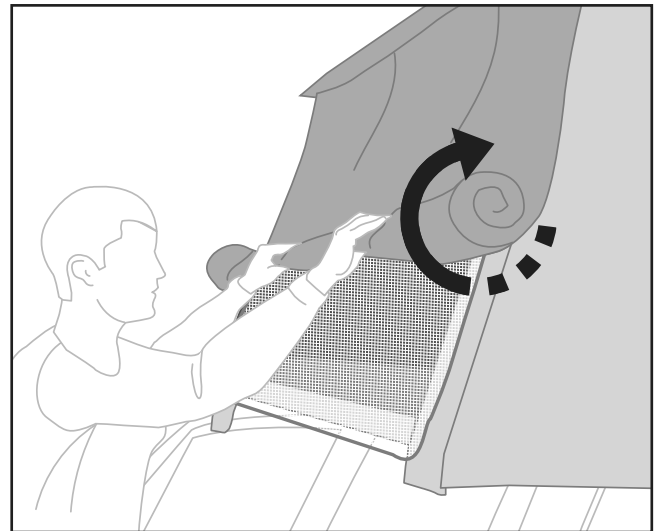
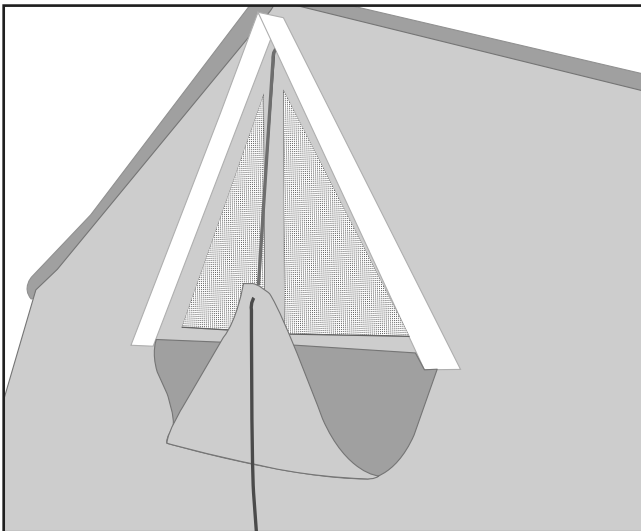
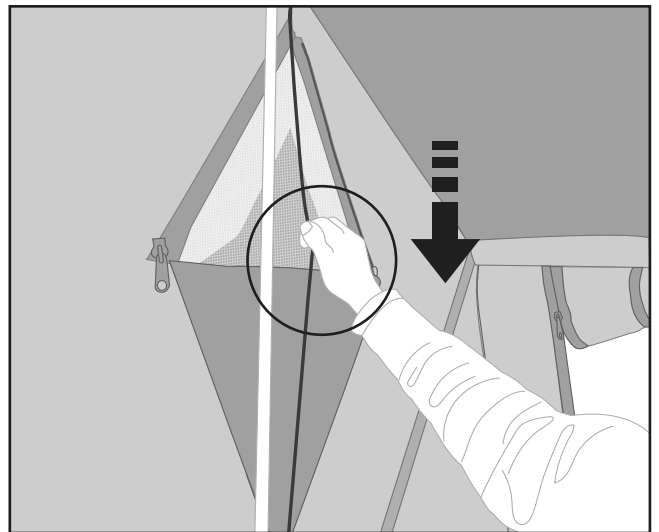
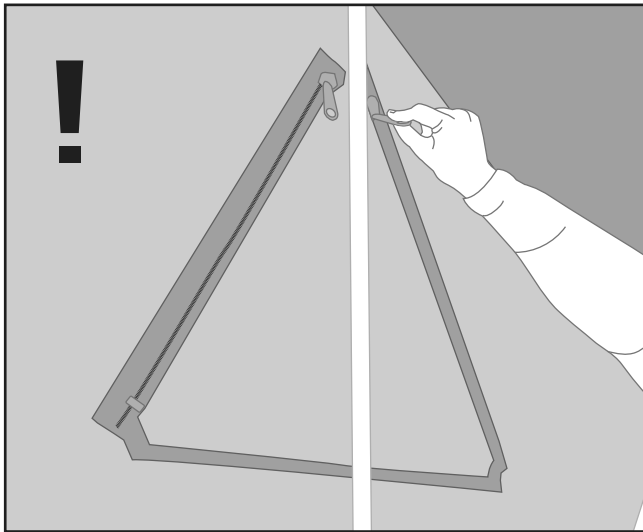


**15**



**F****G****16**

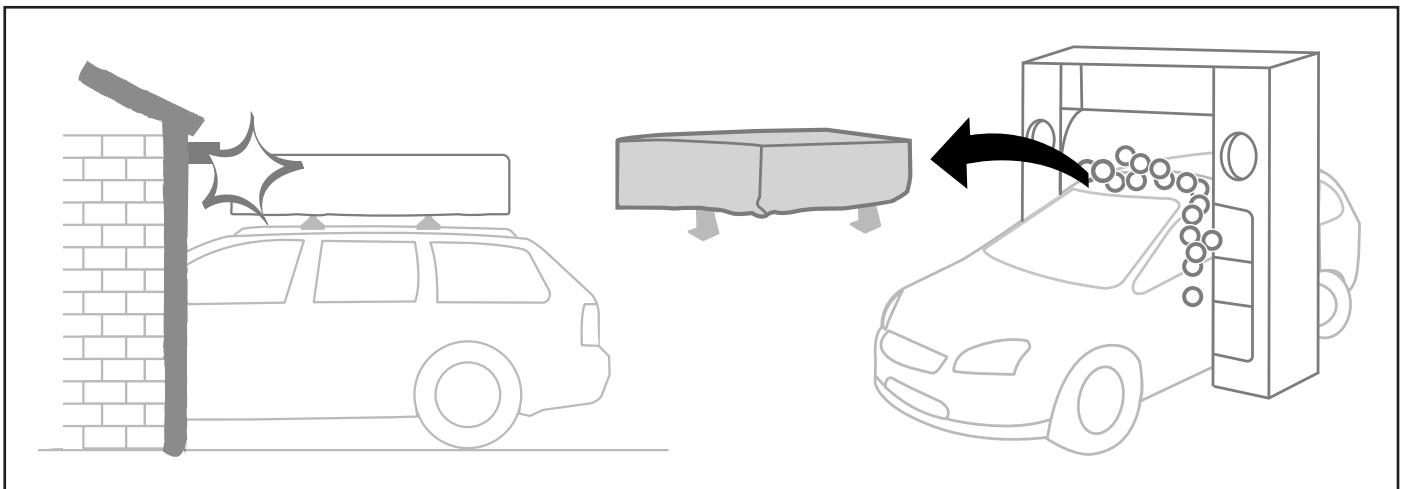
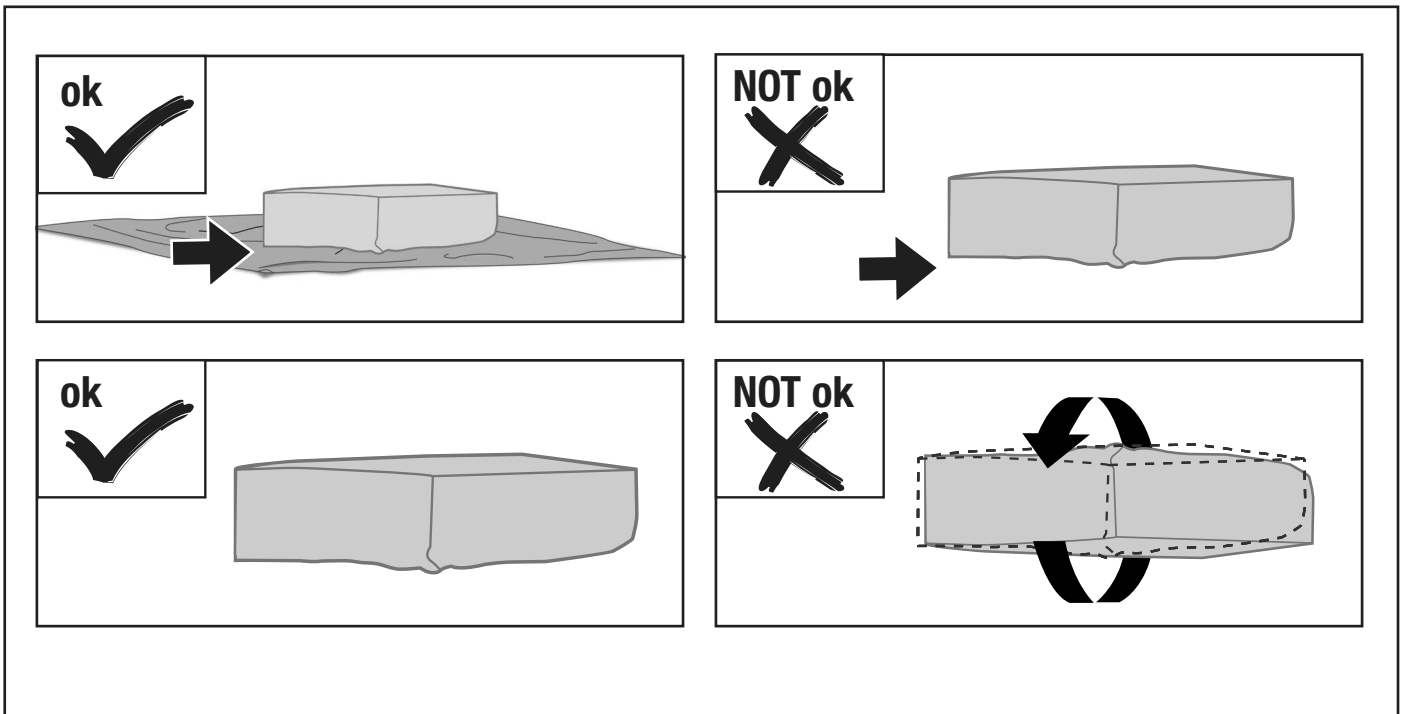
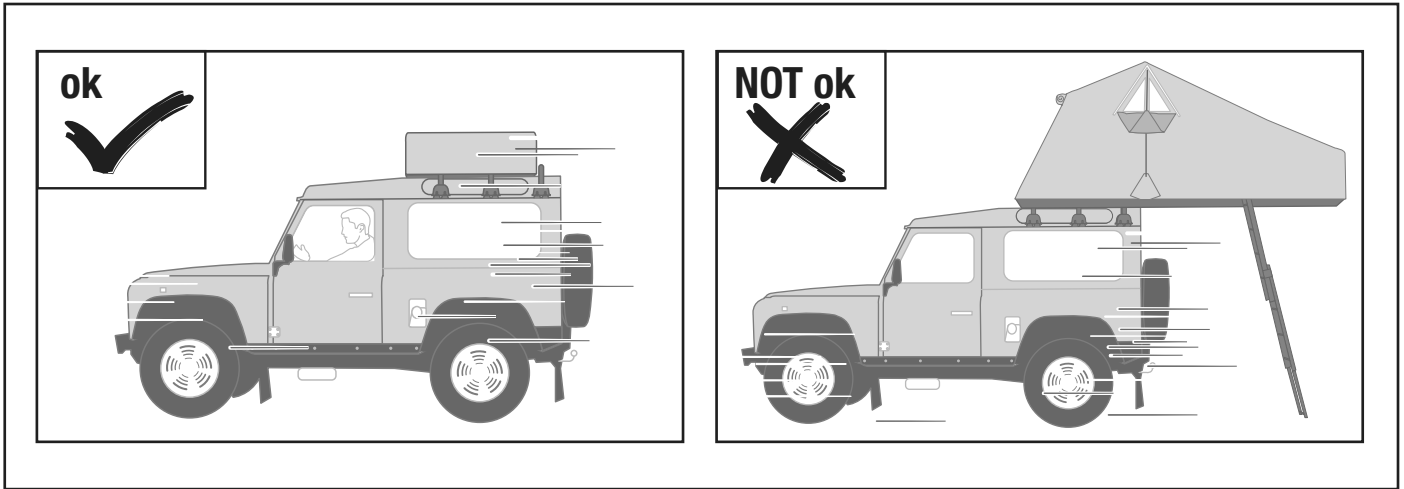
# HANDLE WITH CARE

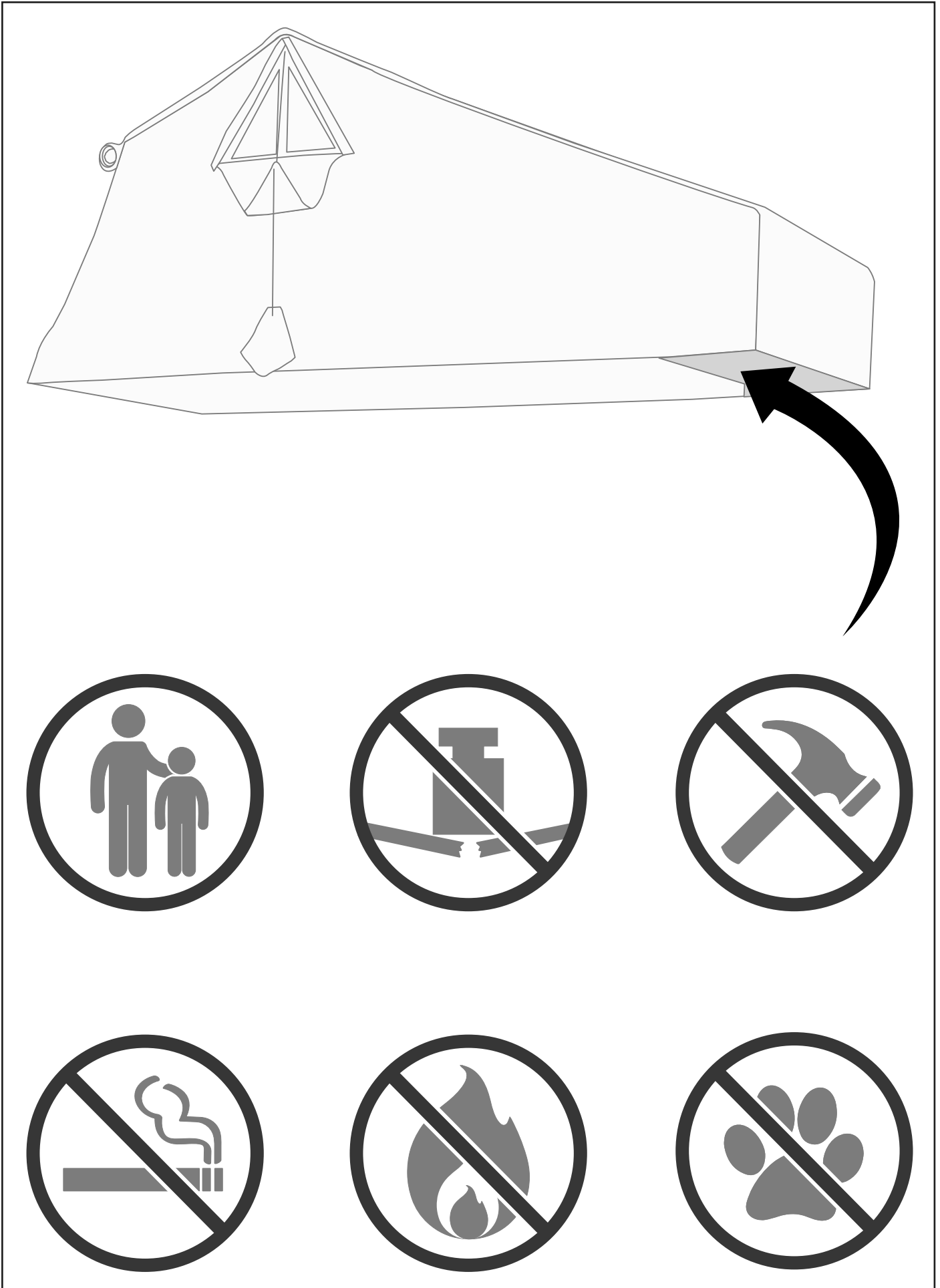




# WARNINGS

Avvertenze • Avertissement • Warnungen











**AUTOHOME**® produced by  
Zifer Italia Srl  
Viale Risorgimento, 23  
46017 Rivarolo Mantovano  
(Mantova) Italy  
Tel. +39 0376 99590  
+39 0376 958164  
Fax +39 0376 958088

**AUTOHOME-OFFICIAL.COM**  
info@autohome.it

 MADE IN ITALY

 Autohome Official-Page

 autohome\_official



PRODUCT QUALITY CERTIFICATION